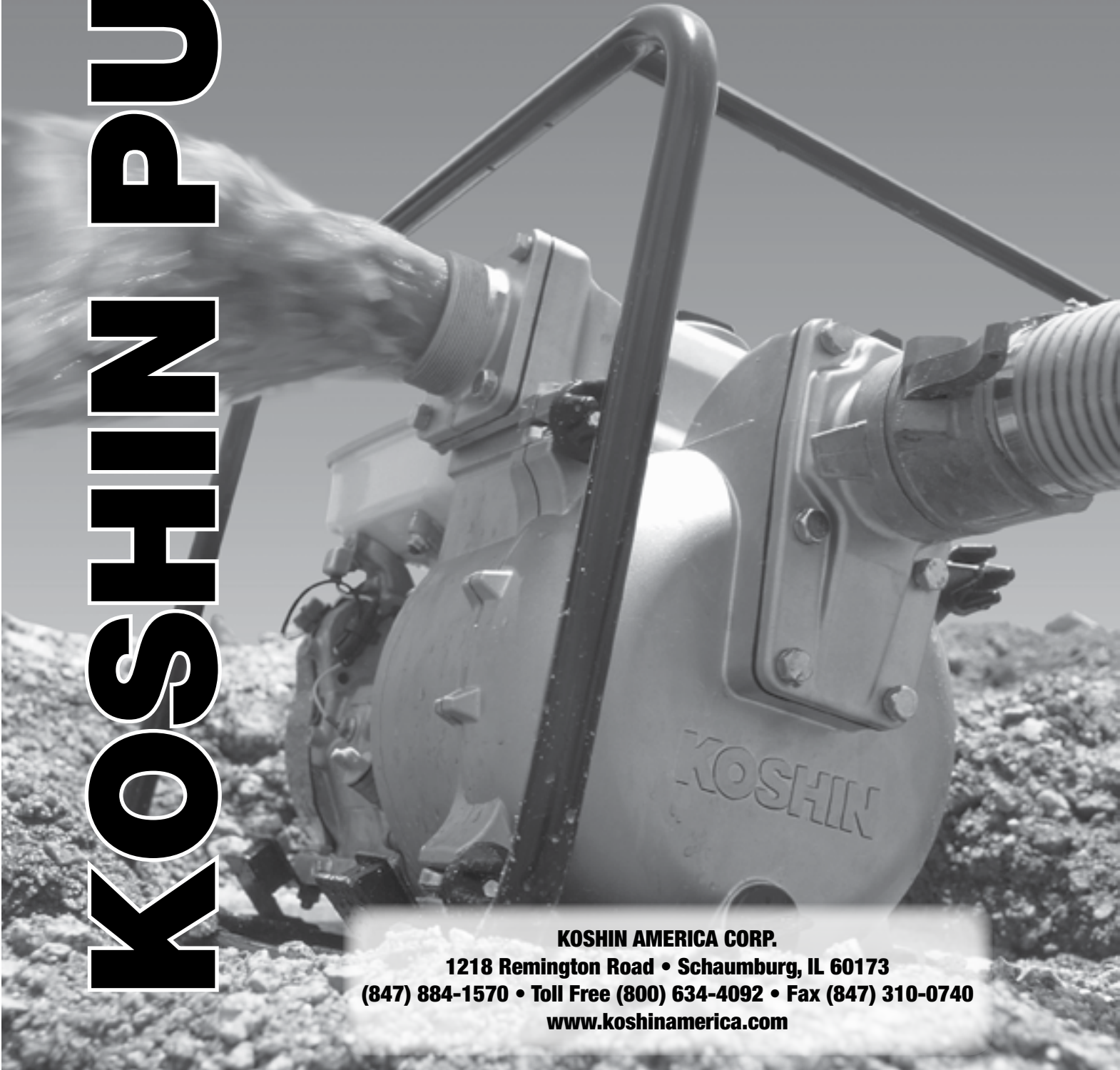
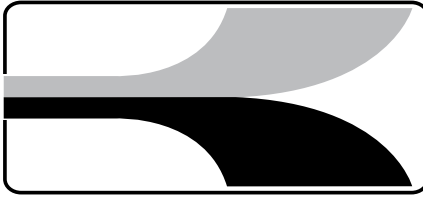


KOSHIN PUMP

PARTS LIST



KOSHIN AMERICA CORP.
1218 Remington Road • Schaumburg, IL 60173
(847) 884-1570 • Toll Free (800) 634-4092 • Fax (847) 310-0740
www.koshinamerica.com



KOSHIN PUMP

LIMITED WARRANTY

Koshin America Corp. warrants every Koshin Ltd. pump to be free of defects in workmanship or materials for a period of two years after being placed in service under normal operating conditions. Should trouble develop, call Koshin America, 800-634-4092, for a "Return Goods Authorization" (RGA) number. Return the complete pump, less oil and fuel, freight prepaid, for determination of warranty. If warranty is determined, the pump will be replaced or repaired at no charge.

Engines are not covered by this warranty, but are subject to the warranty of their respective manufacturers. This warranty does not apply to damage caused from normal wear and tear, accidents, misuse, abuse, alteration or negligence. Be sure to read the operating and maintenance instructions with your pump before operations.

There is no other express or implied warranty. To the extent permitted by law, any and all warranties, including those implied of merchantability or fitness for a particular purpose, are limited to the time period of above express warranty. This warranty does not cover incidental or consequential damages or expenses. Some states do not allow the exclusion or limitation of incidental or consequential damages or limitation on the length of an implied warranty, so the above limitation or exclusion may not apply to you. This warranty gives you specific legal rights. You may have other rights which vary from state to state.

Koshin reserves the right to change or improve its pumps without incurring any obligations to make such changes or improvements on products previously purchased.

TERMS AND CONDITIONS

Prices do not include the cost of service, labor or freight.

Payment terms are net 30 days to accounts who have established a good standing credit with Koshin. All other orders will be shipped C.O.D.

Misordered parts or other return goods are subject to a 15% restocking charge.



KOSHIN PUMP

TABLE OF CONTENTS

Centrifugal Pumps

SEH-25L-BAB	1" Suction/Discharge	2
SEM-25E-BAA	1" Suction/Discharge	3
SEH-50X-BAJ	2" Suction/Discharge	4
SE-50EX-BAB	2" Suction/Discharge	5
SEH-80X-BAF	3" Suction/Discharge	6
SE-80EX-BAB	3" Suction/Discharge	7
SEH-100X-BAF	4" Suction/Discharge	8
PGH-50-BAA	2" Suction/Discharge	9

High Pressure Pumps

SEM-50V-BAH	2" Suction/Discharge	10
SERM-50V	2" Suction/1" & 2" Discharge	11
SERH-50B-BAA	2" Suction/Discharge	12

Semi-Trash Pumps

SEH-50T-BCM	2" Suction/Discharge (SEH-50X-BCM)	13
SEH-80T-BCF	3" Suction/Discharge (SEH-80X-BCF)	14

Trash Pumps

KTH-50X-BAA	2" Suction/Discharge	15
KTH-80X-BAA	3" Suction/Discharge	16
KTH-100X-BAA-0	4" Suction/Discharge	17

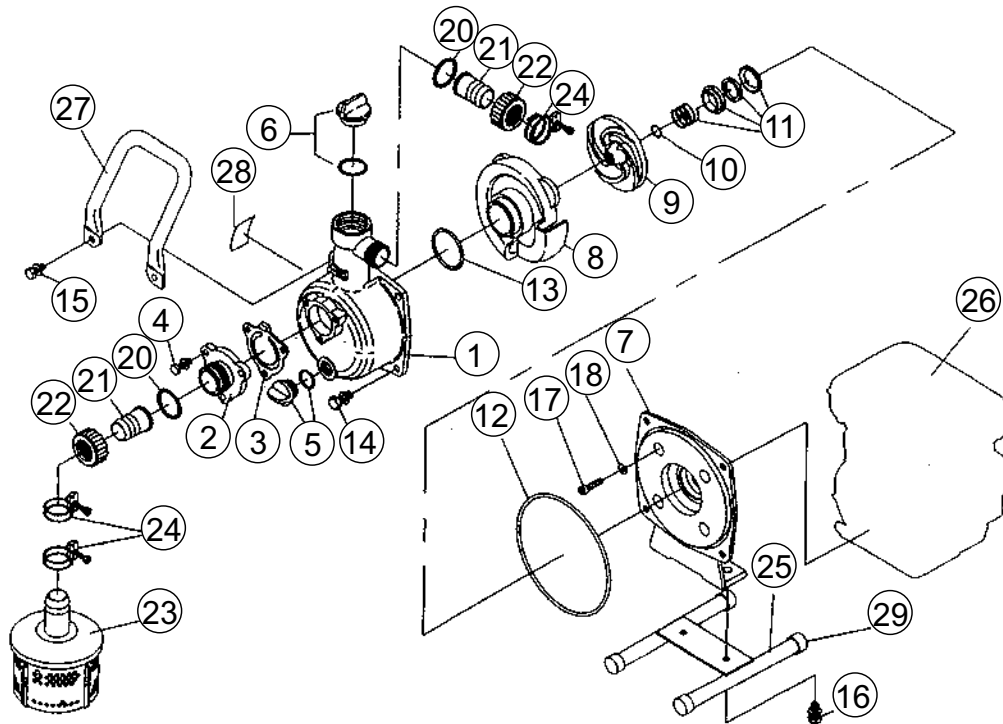
Submersible Pumps

PX-65011-BAC	2" Discharge	18
PS-65011-BAB-0	2" Discharge	19
PS-65011-CR-BAB	2" Discharge	20
PB-65011-BAB	2" Discharge	21
PB7-65011-BAB	2" Discharge	22
PKS-65011-BAB-0	2" Discharge	23
PKS-65011-CR	2" Discharge	24
PXL-65011-BAB	3/4", 2" Discharge	25
NSM-62011-BAB	3/4" Discharge	26
SM-62511-BAB	1-1/4" Discharge	27

Barrel Pumps

SB-25-BAG	1" Discharge	28
SB-20-BAA	3/4" Discharge	29

SEH-25L-BAB

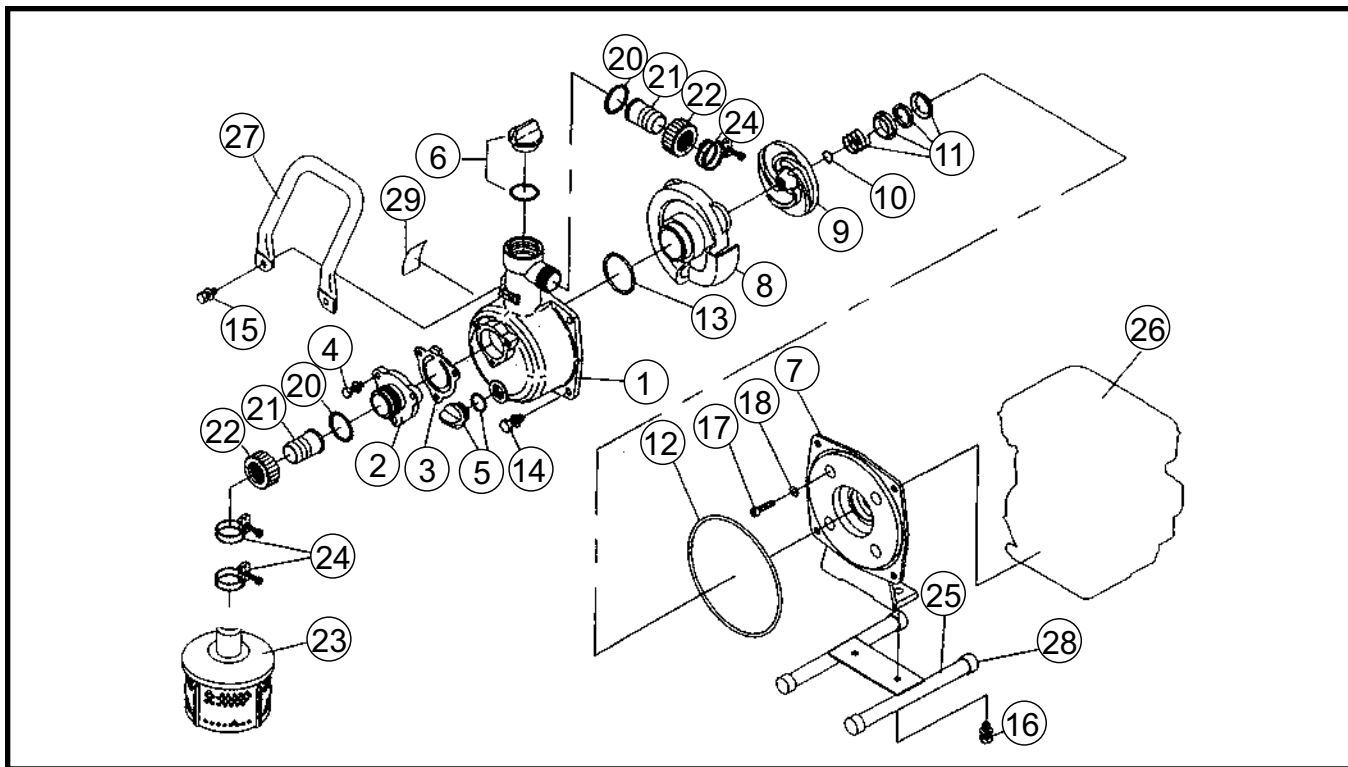


1" CENTRIFUGAL HONDA GX25 1.1 HP



REF NO.	PART NO.	DESCRIPTION	QTY.
1	0113329	PUMP CASING	1
2	0113325	SUCTION FLANGE	1
3	0113326	CHECK VALVE	1
4	743119032	HEXAGON BOLT M6 x 20	3
5	0148010	15A PLUG SET	1
6	0118450	32A PLUG SET	1
7	0114992	FLANGE BRACKET	1
8	0112528	VOLUTE CASING	1
9	0114993	IMPELLER	1
10	0113944	ADJUSTING WASHER	3
11	0140273	MECHANICAL SEAL	1
12	890255031	O-RING	1
13	889855042	O-RING	1
14	743119045	HEXAGON BOLT M8 x 20	2
15	743119046	HEXAGON BOLT M8 x 22	2
16	743119043	HEXAGON BOLT M8 x 16	2
17	734532274	HEXAGON SOCKET BOLT M5 x 40	4
18	854255005	SEAL WASHER	4
20	0340065	GASKET	2
21	0340782	HOSE NIPPLE	2
22	0370781	COUPLING	2
23	0118193	STRAINER	1
24	940019032	HOSE BAND	3
25	0118267	BASE SET	1
26		ENGINE	1
27	0114277	HANDLE	1
28		NAME PLATE	1
29	0112576	PIPE RUBBER COVER	4
30	0120424	1" to 3/4" ADAPTER*	1

* Not shown in exploded view.



REF NO.	PART NO.	DESCRIPTION	QTY.
1	0113329	PUMP CASING	1
2	0113325	SUCTION FLANGE	1
3	0113326	CHECK VALVE	1
4	743119032	HEXAGON BOLT M6 x 20	3
5	0148010	15A PLUG SET	1
6	0118450	32A PLUG SET	1
7	0120087	FLANGE BRACKET	1
8	0112528	VOLUTE CASING	1
9	0120153	IMPELLER	1
10	0113944	ADJUSTING WASHER	3
11	0116054	MECHANICAL SEAL	1
12	890255031	O-RING	1
13	889855042	O-RING	1
14	743119045	HEXAGON BOLT M8 x 20	2
15	743119046	HEXAGON BOLT M8 x 22	2
16	743119043	HEXAGON BOLT M8 x 16	2
17	734532268	HEXAGON SOCKET BOLT M5 x 45	4
18	854255005	SEAL WASHER	4
20	0340065	GASKET	2
21	0340782	HOSE NIPPLE	2
22	0370781	COUPLING	2
23	0118193	STRAINER SET	1
24	940019032	HOSE BAND	3
25	0118267	BASE SET	1
26		ENGINE	1
27	0114277	HANDLE	1
28	0112576	PIPE RUBBER	1
29		NAME PLATE	1
30	0120424	1" to 3/4" ADAPTER*	1

1" CENTRIFUGAL MITSUBISHI TLE20 0.8 HP

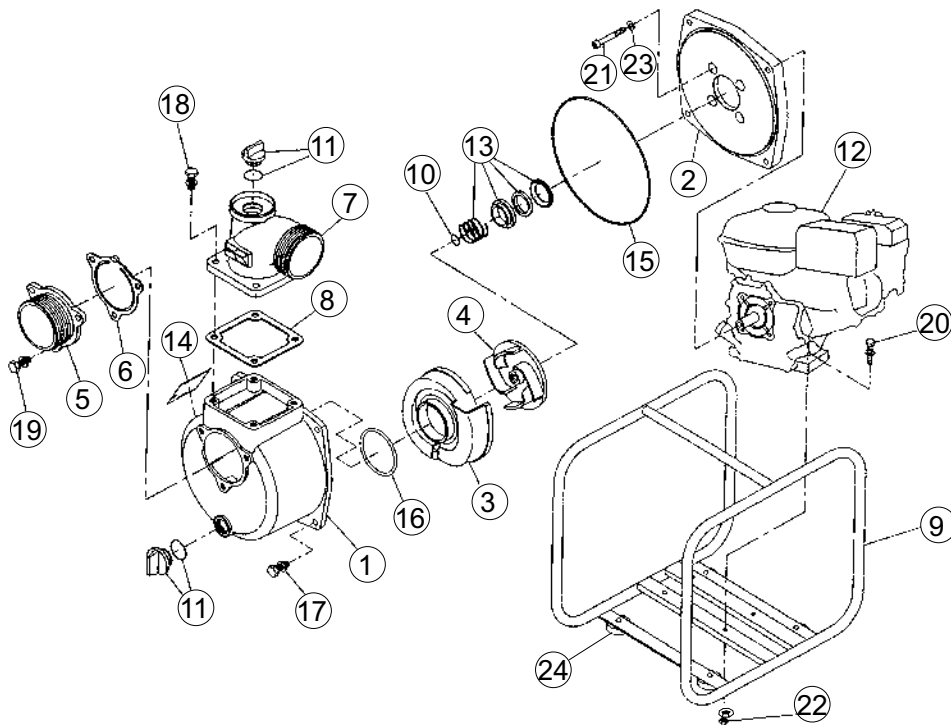


* Not shown in exploded view.

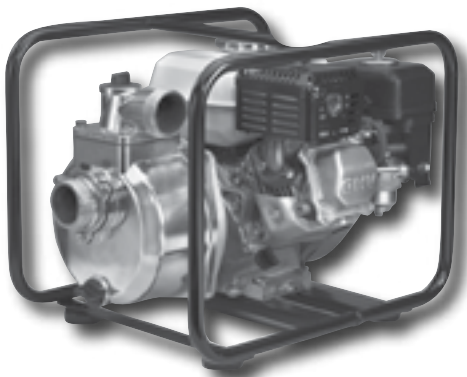


KOSHIN PUMP

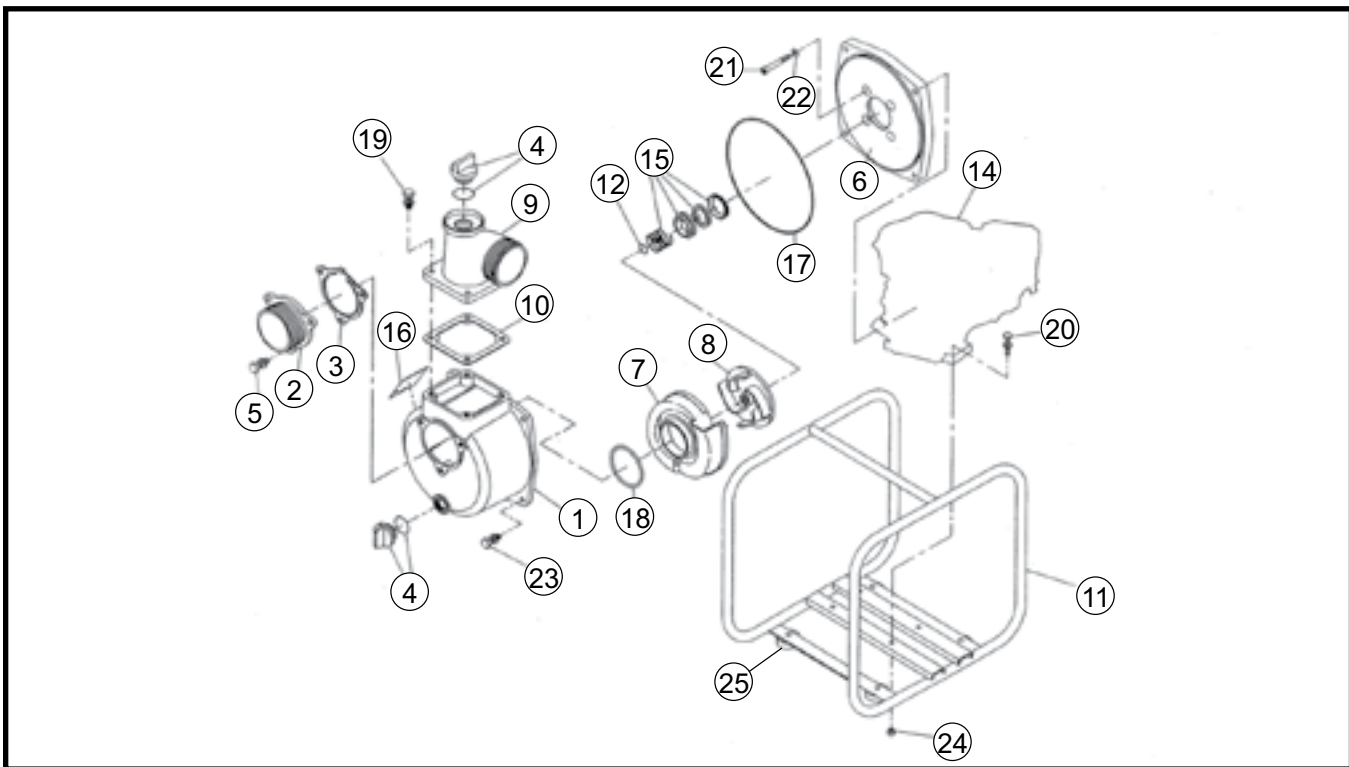
SEH-50X-BAJ



2" CENTRIFUGAL HONDA GX120 4.0 HP



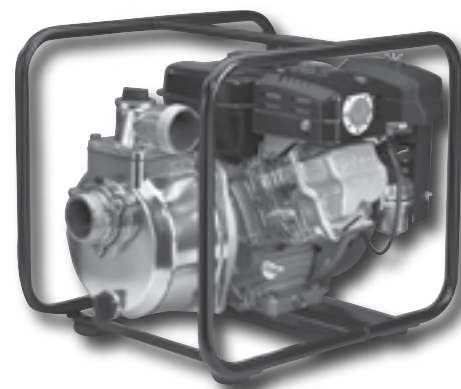
REF NO.	PART NO.	DESCRIPTION	QTY.
1	0112578	PUMP CASING	1
2	0112579	FLANGE BRACKET	1
3	0114640	VOLUTE CASING	1
4	0113532	IMPELLER	1
5	0112822	SUCTION FLANGE	1
6	0112665	CHECK VALVE	1
7	0111359	DELIVERY FLANGE	1
8	0110541	DELIVERY FLANGE GASKET	1
9	0117158	FRAME	1
10	0110466	ADJUSTING WASHER	3
11	0118078	20 A PLUG SET	2
12		ENGINE	1
13	0110688	MECHANICAL SEAL	1
14		NAME PLATE	1
15	0115014	O-RING 1517-43	1
16	0112792	O-RING P54	1
17	743119046	HEX BOLT M8 x 22	4
18	743119047	HEX BOLT M8 x 25	4
19	743119045	HEX BOLT M8 x 20	3
20	743119051	HEX BOLT M8 x 35	4
21	734532076	HEX SOCKET BOLT M8 x 60	4
22	827419008	HEX NUT M8	4
23	854255008	SEAL WASHER M8	4
24	0110515	RUBBER FOOT	4



SE-50EX-BAB

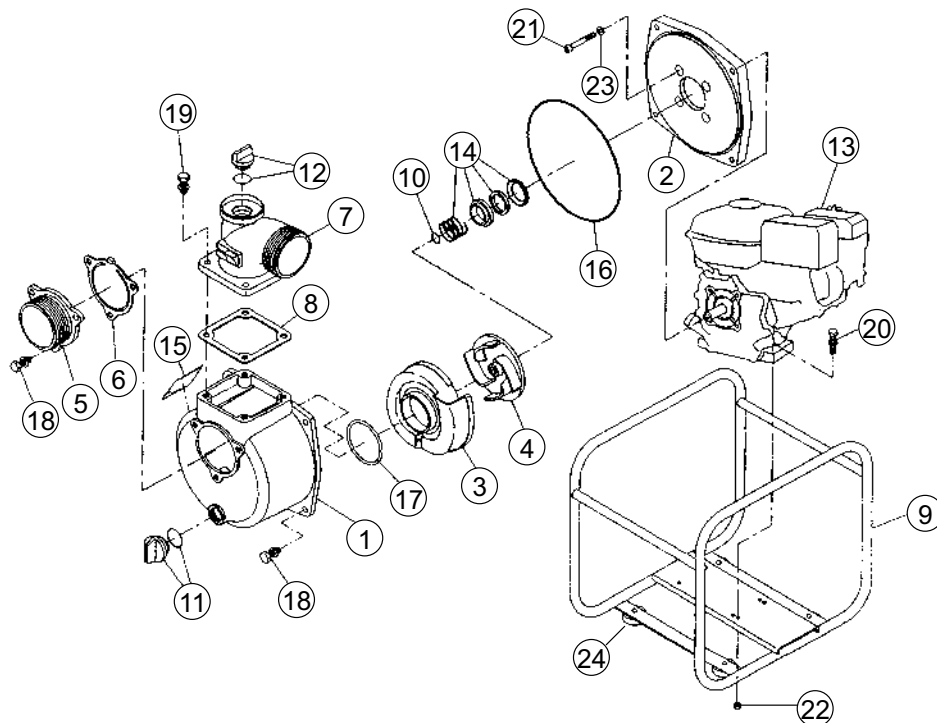
2" CENTRIFUGAL ROBIN EX13 4.5 HP

REF NO.	PART NO.	DESCRIPTION	QTY.
1	0112578	PUMP CASING	1
2	0112822	SUCTION FLANGE	1
3	0112665	CHECK VALVE	1
4	0118078	20 A PLUG SET	2
5	743119045	HEX BOLT M8 x 20	3
6	0112579	FLANGE BRACKET	1
7	0114640	VOLUTE	1
8	0113532	IMPELLER	1
9	0111359	DELIVERY FLANGE	1
10	0110541	DELIVERY FLANGE GASKET	1
11	0117876	FRAME	1
12	0110466	ADJUSTING WASHER	3
14		ENGINE	1
15	0110688	MECHANICAL SEAL	1
16		NAME PLATE	1
17	0115014	O-RING 1517-43	1
18	0112792	O-RING P54	1
19	743119047	HEX BOLT M8 x 25	4
20	743119051	HEX BOLT M8 x 35	4
21	734532076	HEX SOCKET BOLT M8 x 60	4
22	854255008	SEAL WASHER M8	4
23	743119046	HEX BOLT M8 x 22	4
24	827419008	HEX NUT M8	4
25	0110515	RUBBER FOOT	4

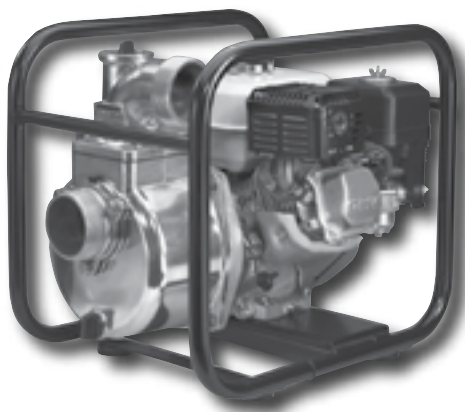


KOSHIN PUMP

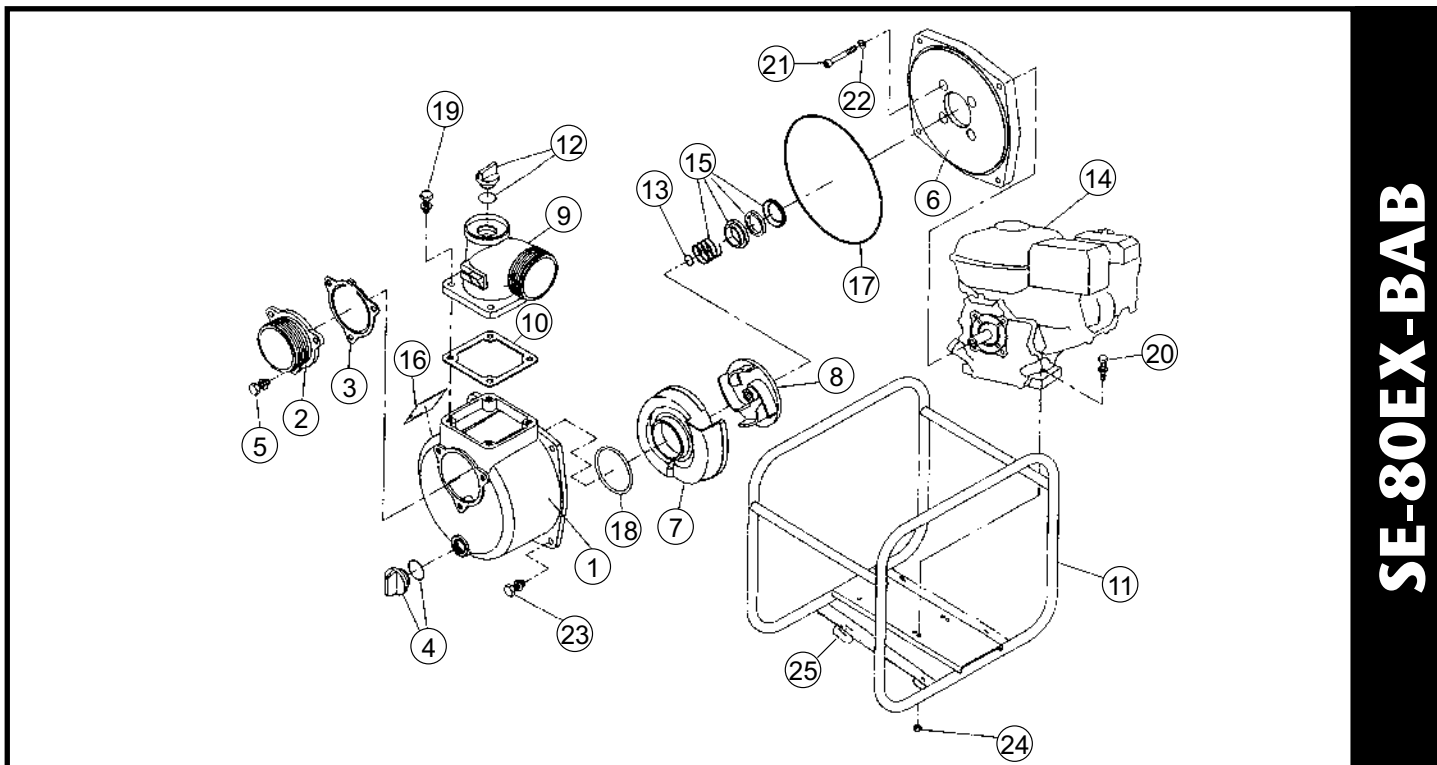
SEH-80X-BAF



3" CENTRIFUGAL HONDA GX160 5.5 HP



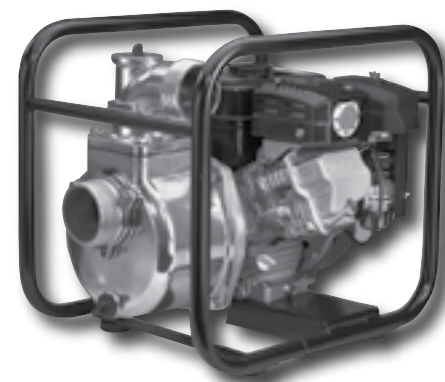
REF NO.	PART NO.	DESCRIPTION	QTY.
1	0112795	PUMP CASING	1
2	0112796	FLANGE BRACKET	1
3	0113176	VOLUTE CASING	1
4	0110532	IMPELLER	1
5	0112876	SUCTION FLANGE	1
6	0112799	CHECK VALVE	1
7	0111361	DELIVERY FLANGE	1
8	0110584	DELIVERY FLANGE GASKET	1
9	0117156	FRAME	1
10	0110491	ADJUSTING WASHER	3
11	0118078	20 A PLUG SET	1
12	0118079	25 A PLUG SET	1
13		ENGINE	1
14	0110664	MECHANICAL SEAL	1
15		NAME PLATE	1
16	0115015	O-RING 1517-46.5	1
17	0113989	O-RING P74	1
18	743119061	HEX BOLT M10 x 25	4
19	743119063	HEX BOLT M10 x 30	4
20	743119053	HEX BOLT M8 x 40	4
21	734532076	HEX SOCKET BOLT M8 x 60	4
22	827419008	HEX NUT M8	4
23	854255008	SEAL WASHER M8	4
24	0110515	RUBBER MOUNT	4



SE-80EX-BAB

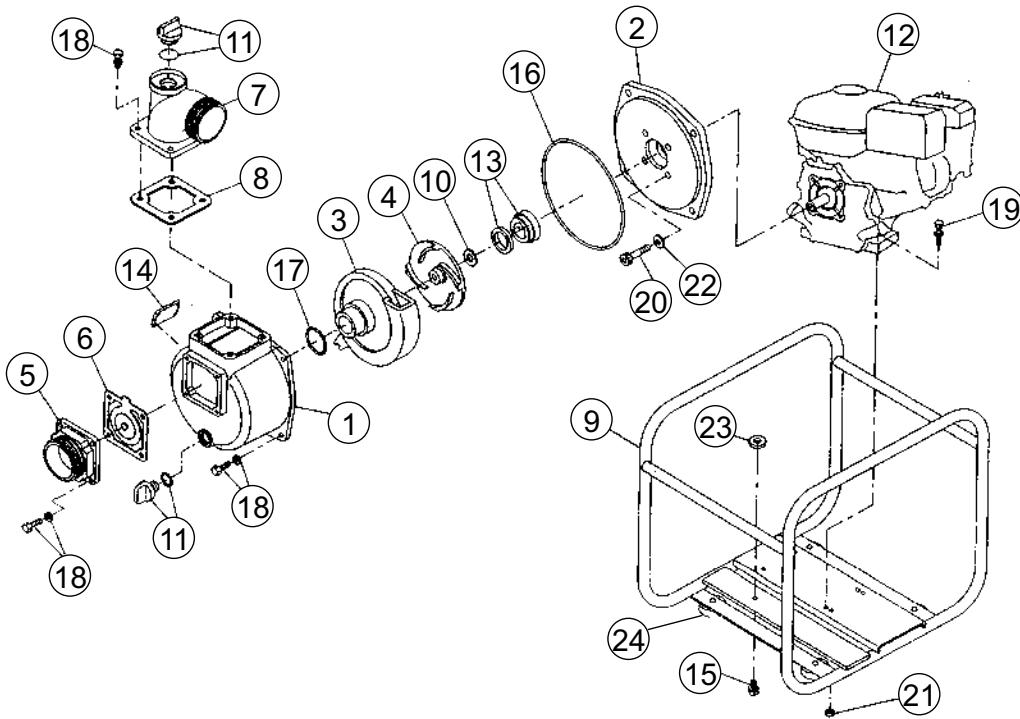
3" CENTRIFUGAL ROBIN EX17 6.0 HP

REF NO.	PART NO.	DESCRIPTION	QTY.
1	0112795	PUMP CASING	1
2	0112876	SUCTION FLANGE	1
3	0112799	CHECK VALVE	1
4	0118078	20 A PLUG SET	2
5	743119061	HEX BOLT M10 x 25	3
6	0112796	FLANGE BRACKET	1
7	0114379	VOLUTE CASING	1
8	0115057	IMPELLER	1
9	0111361	DELIVERY FLANGE	1
10	0110584	DELIVERY FLANGE GASKET	1
11	0117878	FRAME	1
12	0118079	25 A PLUG SET	1
13	0110491	ADJUSTING WASHER	3
14		ENGINE	1
15	0110664	MECHANICAL SEAL	1
16		NAME PLATE	1
17	0115015	O-RING 1517-46.5	1
18	0113989	O-RING P74	1
19	743119063	HEX BOLT M10 x 30	4
20	743119053	HEX BOLT M8 x 40	4
21	734532076	HEX SOCKET BOLT M8 x 60	4
22	854255008	SEAL WASHER	4
23	743119061	HEX BOLT M10 x 25	4
24	827419008	HEX NUT M8	4
25	0110515	RUBBER FOOT	4

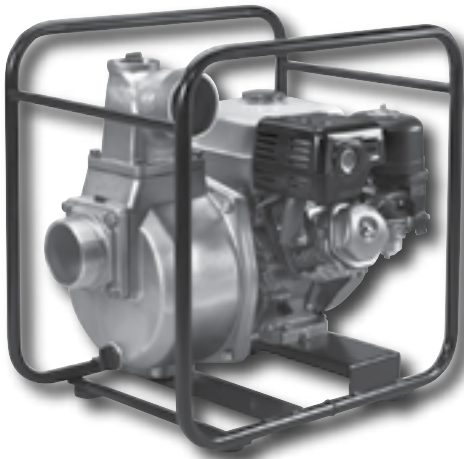


KOSHIN PUMP

SEH-100X-BAF

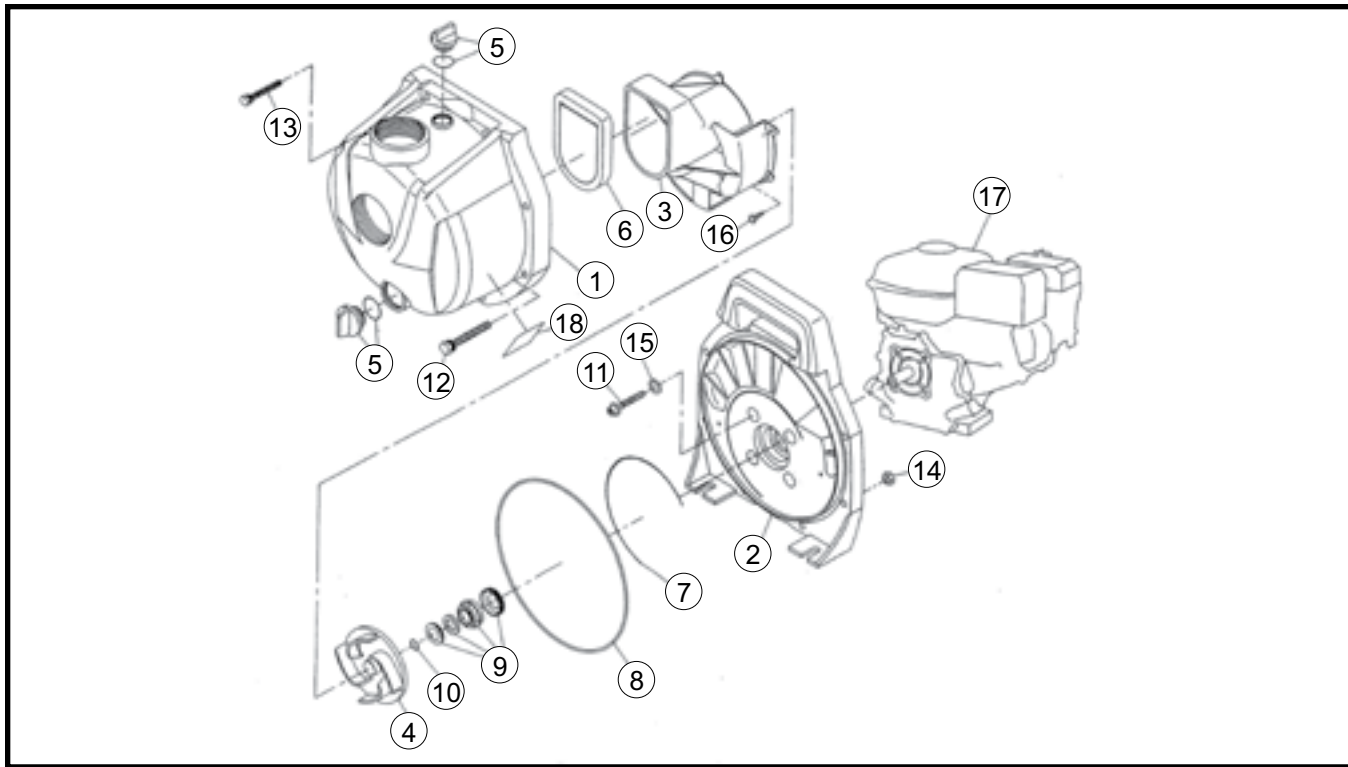


4" CENTRIFUGAL HONDA GX240 8.0 HP



REF NO.	PART NO.	DESCRIPTION	QTY.
1	0115691	PUMP CASING	1
2	0115763	FLANGE BRACKET	1
3	0110717	VOLUTE CASING	1
4	0115664	IMPELLER	1
5	0111365	SUCTION FLANGE	1
6	0117363	CHECK VALVE	1
7	0116151	DELIVERY FLANGE	1
8	0110750	DELIVERY FLANGE GASKET	1
9	0117679	FRAME	1
10	0110081	ADJUSTING WASHER	3
11	0118079	25 A PLUG SET	2
12		ENGINE	1
13	0115764	MECHANICAL SEAL	1
14		NAME PLATE	1
15	743119043	HEX BOLT M8 x 16	1
16	890455080	O-RING 1516-80	1
17	889855090	O-RING P90	1
18	743119080	HEX BOLT M12 x 35	12
19	743119067	HEX BOLT M10 x 40	4
20	734532078	HEX SOCKET BOLT M8 x 70	4
21	827419010	HEX NUT M10	4
22	854255008	SEAL WASHER M8	4
23	0115923	RUBBER WASHER 26x12x5	1
24	0110515	RUBBER FOOT	4





PGH-50-BAA



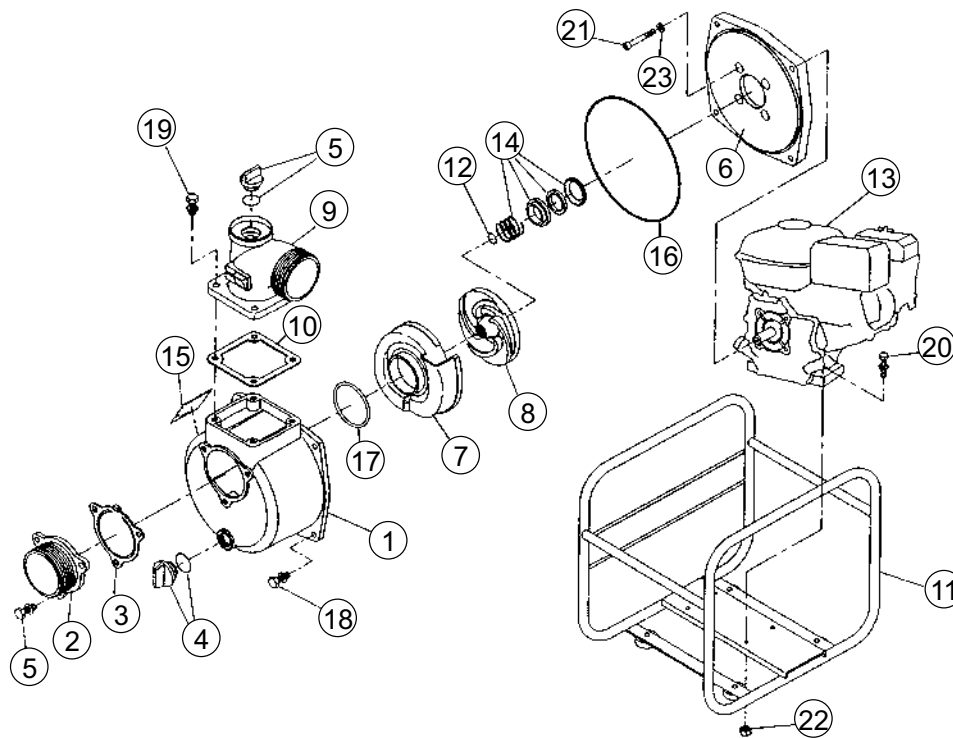
**2" THERMOPLASTIC
HONDA GC135 4.0 HP**

REF NO.	PART NO.	DESCRIPTION	QTY.
1	0130001	PUMP CASING	1
2	0130002	FLANGE BRACKET	1
3	0130003	VOLUTE CASING	1
4	0130004	IMPELLER	1
5	0138001	20 A PLUG SET	2
6	0130009	CHECK VALVE	1
7	0130008	VOLUTE CASING GASKET	1
8	0130005	FLANGE GASKET	1
9	0130011	MECHANICAL SEAL	1
10	0110466	ADJUSTING WASHER	2
11	734705074	HEX SOCKET BOLT M8 x 50	4
12	746205056	HEX BOLT M8 x 55	6
13	746205057	HEX BOLT M8 x 60	2
14	827405008	HEX NUT M8	8
15	854255008	SEAL WASHER	4
16	718505035	TAPPING SCREW M4 x 12	3
17		ENGINE	1
18		NAME PLATE	1



KOSHIN PUMP

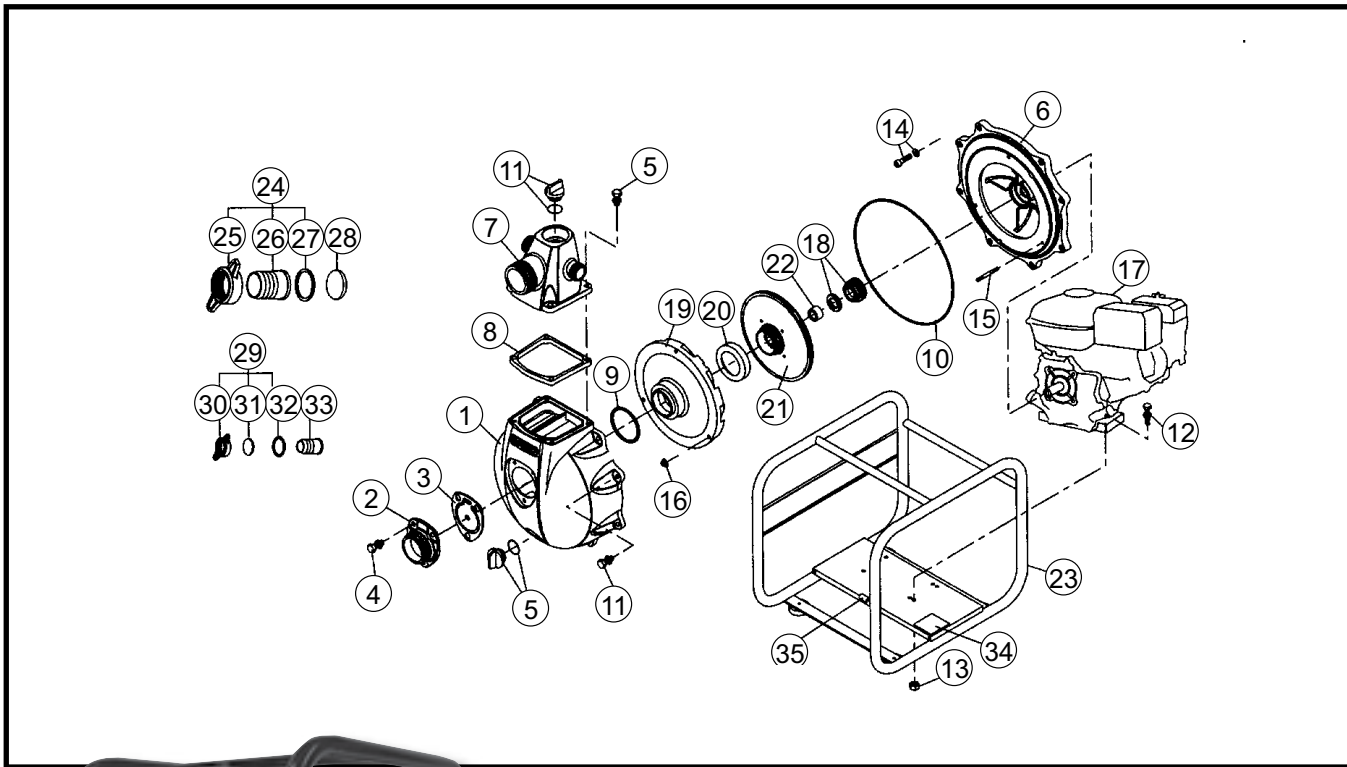
SEM-50V BAH



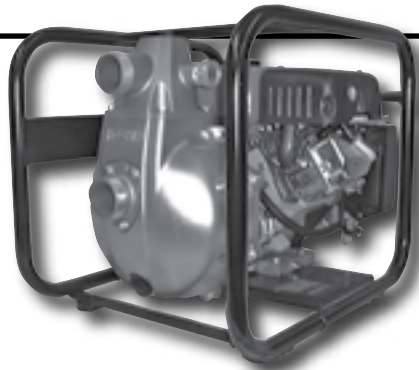
2" HIGH PRESSURE MITSUBISHI 4.0 HP



REF NO.	PART NO.	DESCRIPTION	QTY.
1	0112578	PUMP CASING	1
2	0112822	SUCTION FLANGE	1
3	0112665	CHECK VALVE	1
4	0118078	20 A PLUG SET	2
5	743119045	HEX BOLT M8 x 20	3
6	0112579	FLANGE BRACKET	1
7	0120341	VOLUTE CASING	1
8	0120257	IMPELLER	1
9	0111359	DELIVERY FLANGE	1
10	0110541	DELIVERY FLANGE GASKET	1
11	0117939	FRAME	1
12	0110466	ADJUSTING WASHER	3
13		ENGINE	1
14	0110688	MECHANICAL SEAL	1
15		LABEL	1
16	0115014	O-RING 1517-43	1
17	0112792	O-RING P54	1
18	743119046	HEX BOLT M8 x 22	4
19	743119047	HEX BOLT M8 x 25	4
20	743119051	HEX BOLT M8 x 35	4
21	734532076	HEX SOCKET BOLT M8 x 60	4
22	827419008	HEX NUT M8	4
23	854255008	SEAL WASHER M8	4
24	0110515	RUBBER FOOT	4



SERM-50V



**2" HIGH PRESSURE
MITSUBISHI GM182 6.0 HP**

REF NO.	PART NO.	DESCRIPTION	QTY.
1	0120393	PUMP CASING	1
2	0120408	SUCTION FLANGE	1
3	0120398	CHECK VALVE	1
4	743119045	HEXAGON BOLT M8 x 20	3
5	0118078	20A PLUG SET	2
6	0120396	FLANGE BRACKET	1
7	0120409	DELIVERY FLANGE	1
8	0120399	DELIVERY FLANGE PACKING	1
9	889855056	O-RING P56	1
10	0115016	O-RING 1517-51.5	1
11	743119047	HEXAGON BOLT M8 x 25	12
12	743119053	HEXAGON BOLT M8 x 40	4
13	827419008	HEXAGON NUT M8	4
14	0120437	HEXAGON SOCKET BOLT + SEAL WASHER M8 x 60	4
15	0120438	STUD BOLT M6 x 46 (12/12)	3
16	0120439	PLATE SPRING WASHER M6	3
17		ENGINE	

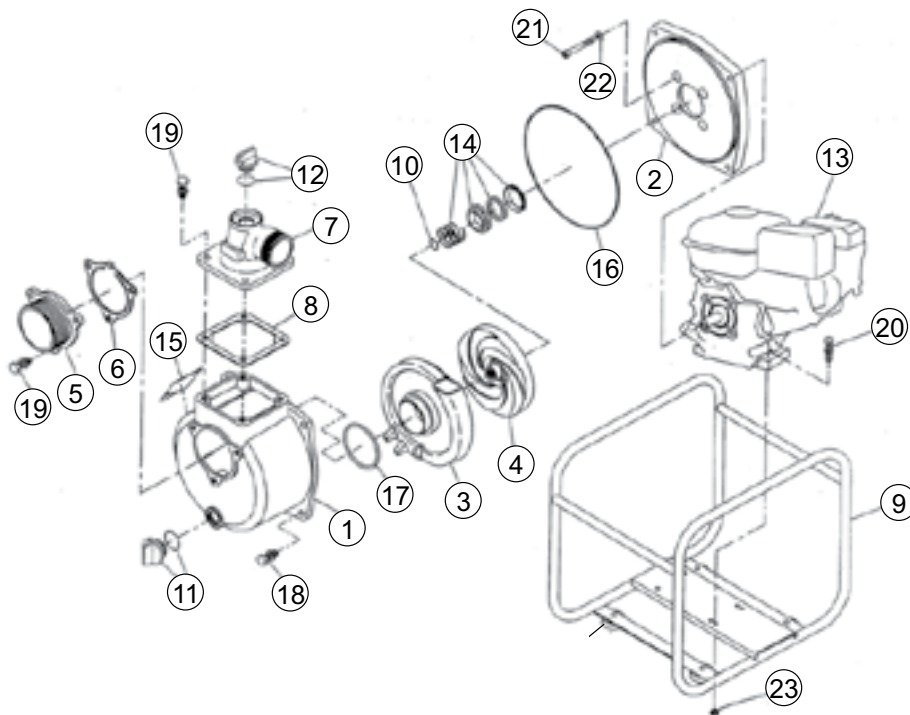
REF NO.	PART NO.	DESCRIPTION	QTY.
18	0120389	MECHANICAL SEAL ϕ 20	1
19	0120390	VOLUTE CASING	1
20	0120397	WEAR RING	1
21	0117990	IMPELLER ASSEMBLY	1
22	0120448	IMPELLER BUSHING	1
23	0117992	BASE SET	1
24	0128078	COUPLING SET (50)	1
25	0120629	COUPLING	1
26	0112453	HOSE NIPPLE	1
27	0110766	COUPLING PACKING	1
28	0120486	CHECK PLATE (50)	1
29	0128078	CHECK COUPLING SET (25)	2
30	0110422	COUPLING	2
31	0120485	CHECK PLATE (25)	2
32	0110192	COUPLING PACKING	2
33	0110423	HOSE NIPPLE	2
34		NAME PLATE	1
35	0120471	RUBBER PLATE	1



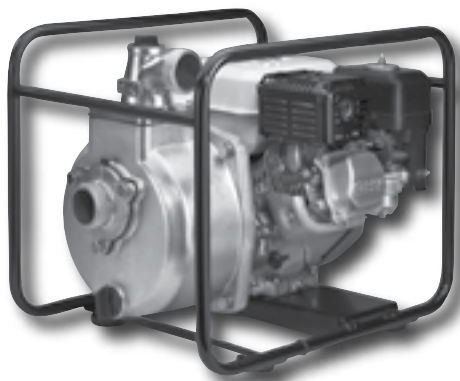
KOSHIN PUMP

HIGH PRESSURE PUMPS

SERH-50B-BAA



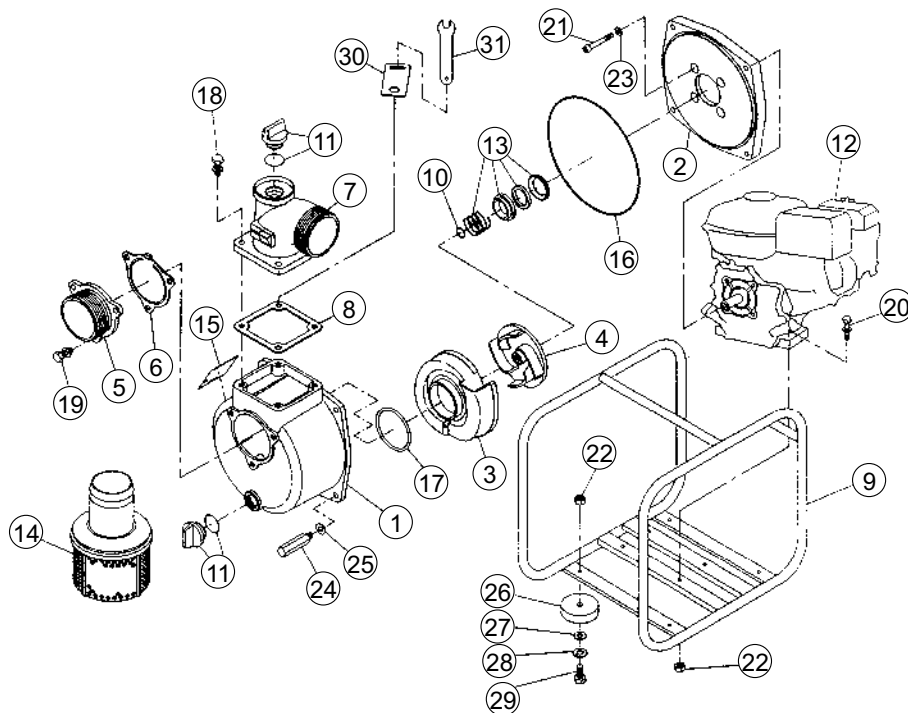
2" HIGH PRESSURE HONDA GX160 5.5 HP



REF NO.	PART NO.	DESCRIPTION	QTY.
1	0117248	PUMP CASING	1
2	0110568	FLANGE BRACKET	1
3	0112818	VOLUTE CASING	1
4	0112861	IMPELLER	1
5	0114324	SUCTION FLANGE	1
6	0112799	CHECK VALVE	1
7	0113289	DELIVERY FLANGE	1
8	0110584	DELIVERY FLANGE GASKET	1
9	0117016	FRAME	1
10	0110081	ADJUSTING WASHER	3
11	0118079	25 A PLUG SET	1
12	0118078	20 A PLUG SET	1
13		ENGINE	1
14	0110863	MECHANICAL SEAL	1
15		NAME PLATE	1
16	0115016	O-RING	1
17	0113989	O-RING	1
18	743119078	HEX BOLT M12 x 30	4
19	743119063	HEX BOLT M10 x 30	7
20	743119053	HEX BOLT M8 x 40	4
21	734532076	HEX SOCKET BOLT M8 x 60	4
22	854255008	SEAL WASHER M8	4
23	827419008	HEX NUT M8	4
24	0110515	RUBBER FOOT	4

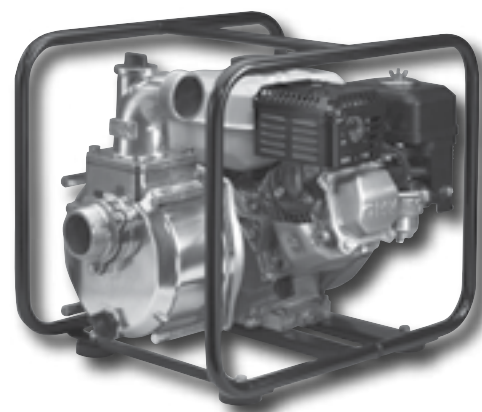


**SEH-50T-BCM
(SEH-50X-BCM)**



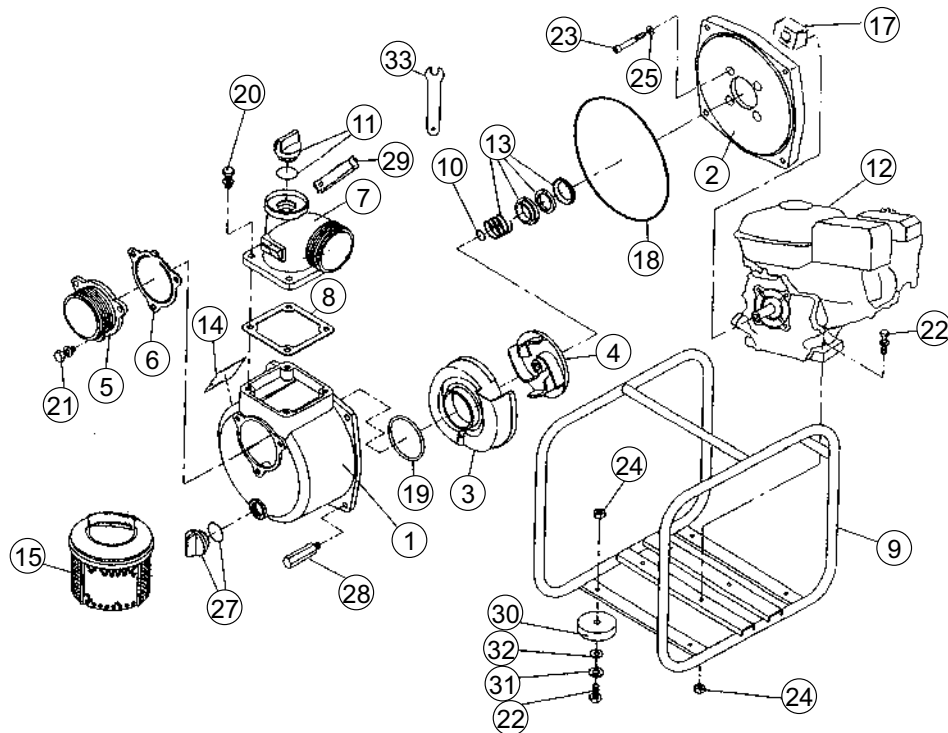
REF NO.	PART NO.	DESCRIPTION	QTY.
1	0112578	PUMP CASING	1
2	0114027	FLANGE BRACKET	1
3	0115169	VOLUTE CASING	1
4	0155168	IMPELLER	1
5	0112822	SUCTION FLANGE	1
6	0112665	CHECK VALVE	1
7	0115227	DELIVERY FLANGE	1
8	0110541	DELIVERY FLANGE GASKET	1
9	0117220	FRAME	1
10	0110466	ADJUSTING WASHER	3
11	0118078	20 A PLUG SET	2
12		ENGINE	1
13	0115159	MECHANICAL SEAL	1
14	0111893	STRAINER	1
15		NAME PLATE	1
16	0115014	O-RING 1517-43	1
17	0112792	O-RING P54	1
18	743119047	HEX BOLT M8 x 25	4
19	743119045	HEX BOLT M8 x 20	3
20	743119051	HEX BOLT M8 x 35	4
21	734532076	SOCKET BOLT M8 x 60	4
22	827419008	NUT M8	8
23	854255008	SEAL WASHER M8	4
24	0115115	LONG BOLT M8	4
25	843822008	WASHER	4
26	0110515	RUBBER FOOT	4
27	846007008	WASHER	4
28	843822008	SPRING WASHER	4
29	743119045	HEX BOLT M8 x 20	4
30	0115230	WRENCH HOLDER	1
31	0115185	WRENCH	1

**2" SEMI-TRASH
HONDA GX120 4.0 HP**



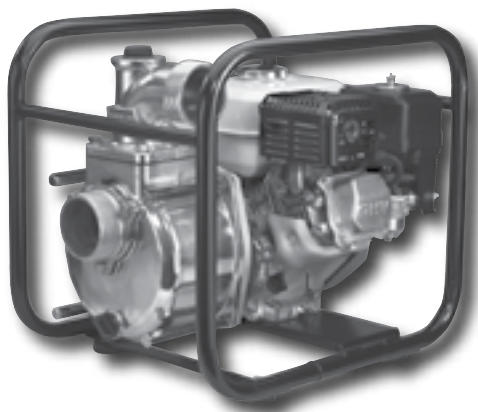
KOSHIN PUMP

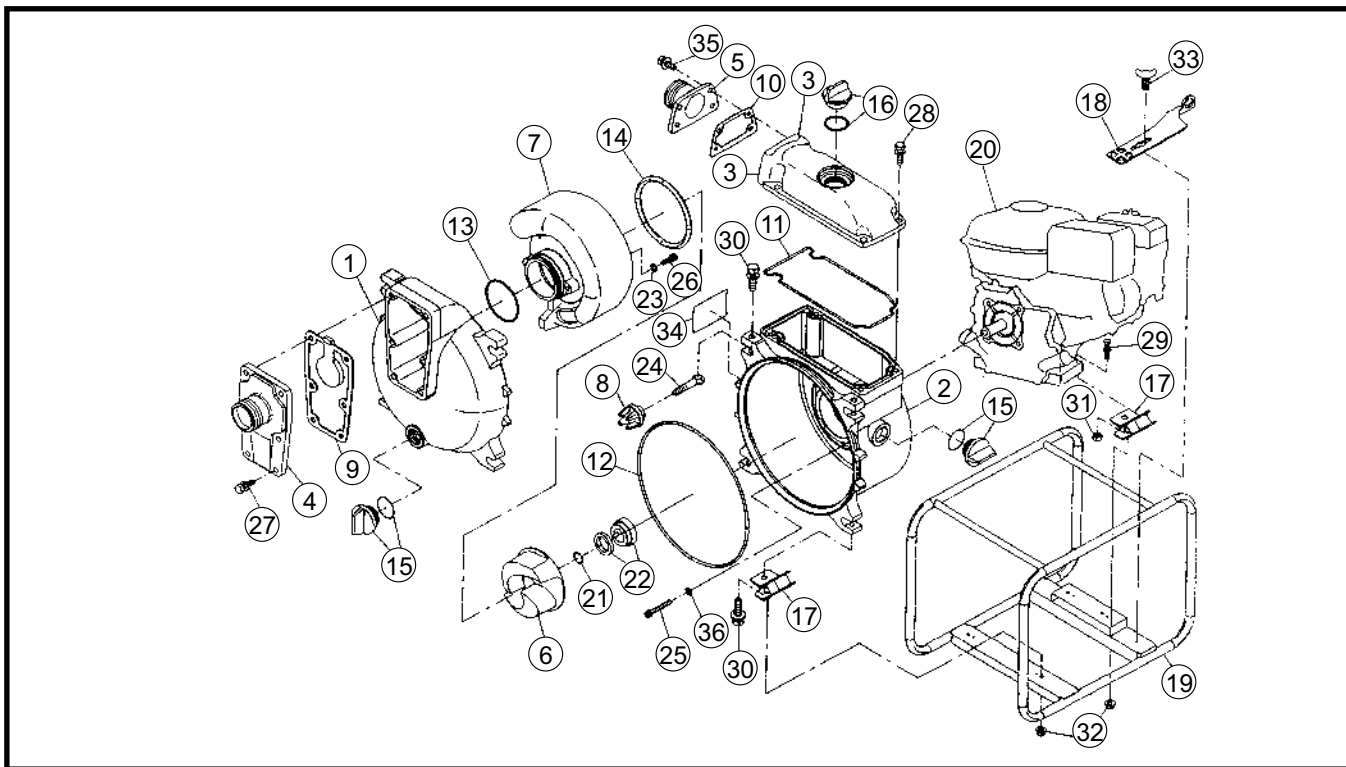
SEH-80T-BCF (SEH-80X-BCF)



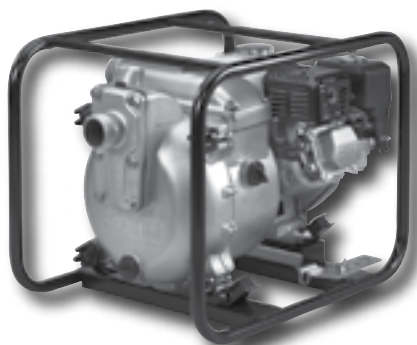
3" SEMI-TRASH HONDA GX160 5.5 HP

REF NO.	PART NO.	DESCRIPTION	QTY.
1	0112795	PUMP CASING	1
2	0115269	FLANGE BRACKET	1
3	0115541	VOLUTE	1
4	0115539	IMPELLER	1
5	0112876	SUCTION FLANGE	1
6	0112799	CHECK VALVE	1
7	0111361	DELIVERY FLANGE	1
8	0110584	DELIVERY FLANGE GASKET	1
9	0117433	FRAME	1
10	0110491	ADJUSTING WASHER	3
11	0118079	25 A PLUG SET	1
12		ENGINE	1
13	0115159	MECHANICAL SEAL	1
14		NAME PLATE	1
15	0111894	STRAINER	1
17	0115540	SPACER	1
18	0115015	O-RING 1517-47	1
19	0113989	O-RING P74	1
20	743119063	HEX BOLT M10 x 30	4
21	743119061	HEX BOLT M10 x 25	3
22	743119053	HEX BOLT M8 x 40	8
23	734532076	SOCKET BOLT M8 x 60	4
24	827419008	NUT M8	8
25	854255008	SEAL WASHER M8	4
27	0118078	20 A PLUG SET	1
28	0115542	LONG BOLT M10	4
29	0115588	WRENCH HOLDER	1
30	0110515	RUBBER MOUNT	4
31	842319008	M8 NUT W/SPRING WASHER	4
32	846207008	WASHER M8	4
33	0115589	WRENCH 17MM	1





KTH-50X-BAA



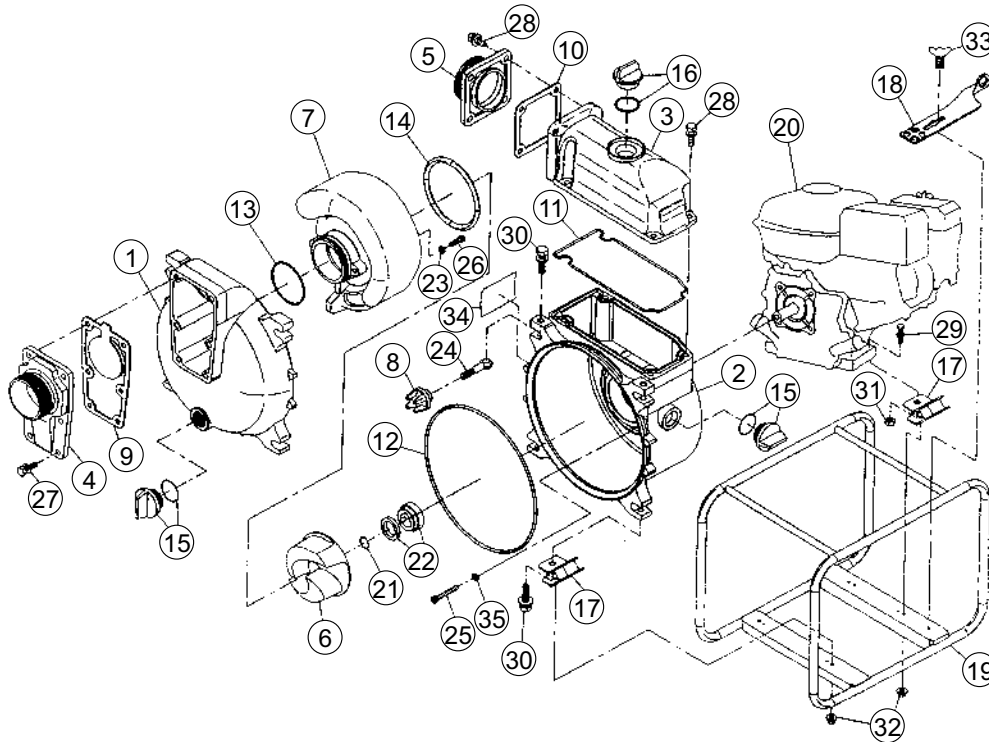
**2" TRASH
HONDA GX160 5.5 HP**

REF NO.	PART NO.	DESCRIPTION	QTY.	REF NO.	PART NO.	DESCRIPTION	QTY.
1	0115545	FRONT COVER	1	19	0117524	FRAME	1
2	0115446	PUMP CASING	1	20		ENGINE	1
3	0115445	DELIVERY CASING	1	21	0110491	ADJUSTING WASHER	3
4	0115492	SUCTION FLANGE	1	22	0115159	MECHANICAL SEAL	1
5	0115444	DELIVERY FLANGE	1	23	854255008	SEAL WASHER	6
6	0115447	IMPELLER	1	24	0115580	COVER BOLT	4
7	0115489	VOLUTE CASING	1	25	0116516	SOCKET BOLT M8 x 55	4
8	0115590	KNOB	4	26	734505065	SOCKET BOLT M8 x 25	2
9	0115780	CHECK VALVE	1	27	743119061	HEX BOLT M10 x 25	6
10	0115490	DELIVERY FLANGE GASKET	1	28	743119063	HEX BOLT M10 x 30	4
11	0115548	HEAD GASKET	1	29	743119051	HEX BOLT M8 x 35	2
12	0115579	FRONT COVER GASKET	1	30	743119083	HEX BOLT M12 x 45	4
13	0115676	O-RING	1	31	838719008	NUT M8	2
14	0115578	CASING GASKET	1	32	842319008	M8 NUT W/SPRING WASHER	4
15	0118079	25A PLUG SET	2	33	741305153	WING BOLT M8 x 15	1
16	0118450	32A PLUG SET	1	34		NAME PLATE	1
17	0115679	RUBBER MOUNT	4	35	743119046	HEX BOLT M8 x 22	4
18	0115778	WRENCH	1	36	0116493	ALUMINUM WASHER	4

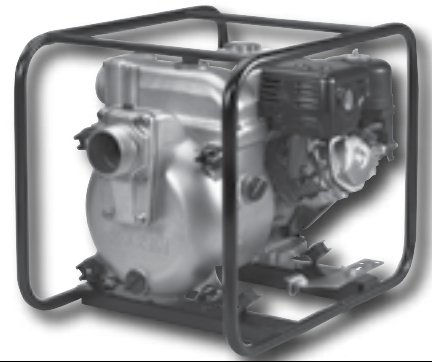


KOSHIN PUMP

KTH-80X-BAA

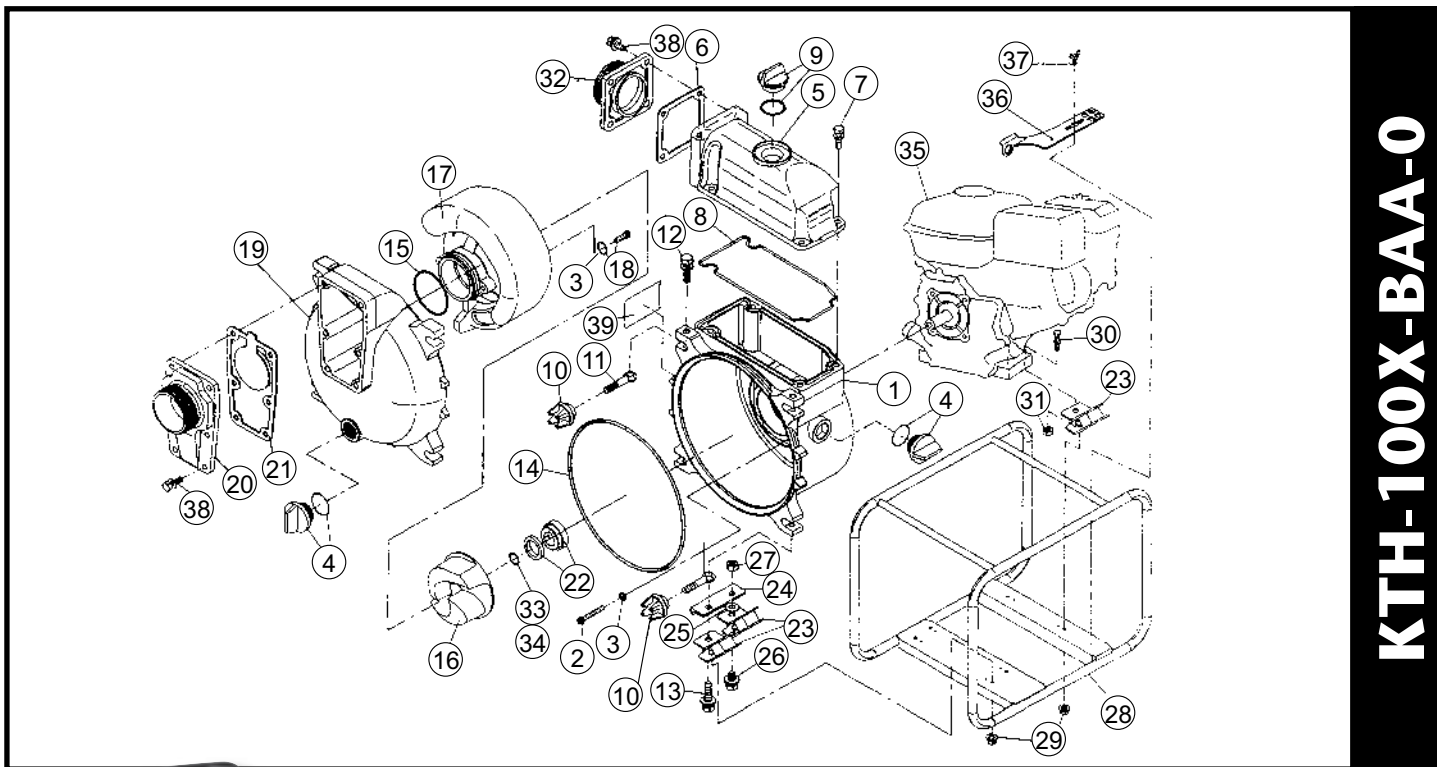


3" TRASH HONDA GX240 8.0 HP

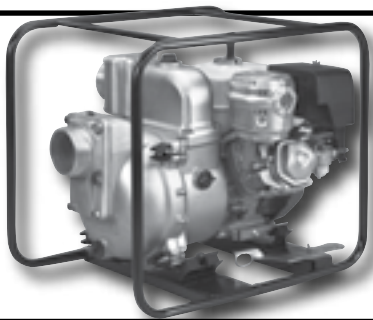


REF NO.	PART NO.	DESCRIPTION	QTY.	REF NO.	PART NO.	DESCRIPTION	QTY.
1	0115545	FRONT COVER	1	19	0117494	FRAME	1
2	0115446	PUMP CASING	1	20		ENGINE	1
3	0115547	DELIVERY CASING	1	21	0110081	ADJUSTING WASHER	3
4	0111360	SUCTION FLANGE	1	22	0115678	MECHANICAL SEAL	1
5	0115837	DELIVERY FLANGE	1	23	854255008	SEAL WASHER	2
6	0115558	IMPELLER	1	24	0115580	COVER BOLT	4
7	0115559	VOLUTE CASING	1	25	734532075	SOCKET BOLT M8 x 55	4
8	0115590	KNOB	4	26	734505065	SOCKET BOLT M8 x 25	2
9	0115692	CHECK VALVE	1	27	743119061	HEX BOLT M10 x 25	6
10	0110584	DELIVERY FLANGE GASKET	1	28	743119063	HEX BOLT M10 x 30	4
11	0115548	HEAD GASKET	1	29	743119065	HEX BOLT M10 x 35	2
12	0115579	FRONT COVER GASKET	1	30	743119083	HEX BOLT M12 x 45	4
13	0115676	O-RING	1	31	827419010	HEX NUT M10	2
14	0115578	CASING GASKET	1	32	842319008	M8 NUT W/SPRING WASHER	4
15	0118079	25A PLUG SET	2	33	741305153	WING BOLT M8 x 15	1
16	0118450	32A PLUG SET	1	34		NAME PLATE	1
17	0115679	RUBBER MOUNT	4	35	0116493	ALUMINUM WASHER	4
18	0115767	WRENCH	1				





KTH-100X-BAA-0



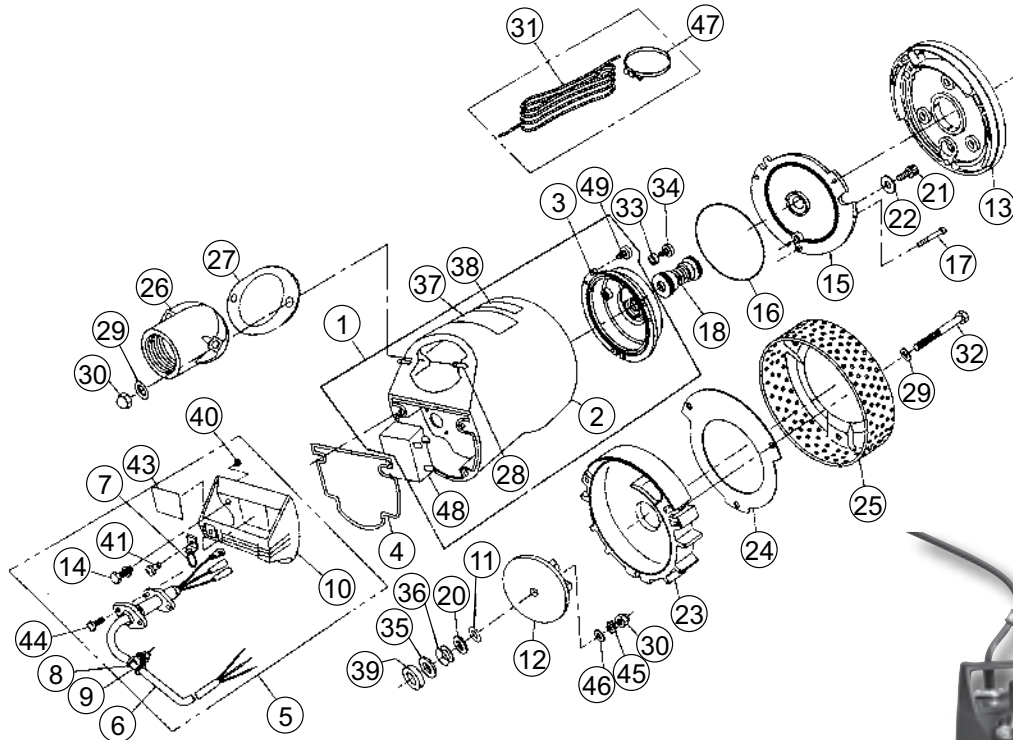
**4" TRASH
HONDA GX340 11.0 HP**

REF NO.	PART NO.	DESCRIPTION	QTY.	REF NO.	PART NO.	DESCRIPTION	QTY.
1	0116150	PUMP HOUSING	1	21	0118261	CHECK VALVE	1
2	0116492	HEX SOCKET BOLT M8 x 50	4	22	0115678	MECHANICAL SEAL	1
3	0116493	ALUMINUM WASHER	7	23	0116172	RUBBER MOUNT	6
4	0118079	25A PLUG SET	2	24	0116273	MOUNTING PLATE	2
5	0116148	DELIVERY HOUSING	1	25	846211012	WASHER	2
6	0110750	DELIVERY FLANGE GASKET	1	26	743119076	HEX BOLT M12 x 25	2
7	743119063	HEX BOLT M10 x 30	4	27	827419012	HEX NUT M12	2
8	0115548	HEAD GASKET	1	28	0117737	FRAME	1
9	0118450	32A PLUG SET	1	29	842319008	M8 NUT SPRING W/WASHER	6
10	0115590	KNOB	4	30	743119067	HEX BOLT M10 x 40	2
11	0115580	COVER BOLT	4	31	827419010	HEXAGON NUT M10	2
12	743119083	HEX BOLT M12 x 45	2	32	0111365	DELIVERY FLANGE	1
13	743119084	HEX BOLT M12 x 50	2	33	0110561	ADJUSTING WASHER	1
14	0115579	FRONT COVER GASKET	1	34	0110561	ADJUSTING WASHER	2
15	0116270	O-RING	1	35		ENGINE	1
16	0115626	IMPELLER	1	36	0116204	WRENCH	1
17	0116488	VOLUTE CASING	1	37	741305153	WING BOLT	1
18	0116419	HEX SOCKET BOLT M8 x 35	3	38	743119080	HEX BOLT M12 x 35	10
19	0116490	FRONT COVER	1	39		NAME PLATE	1
20	0115790	SUCTION FLANGE	1				



KOSHIN PUMP

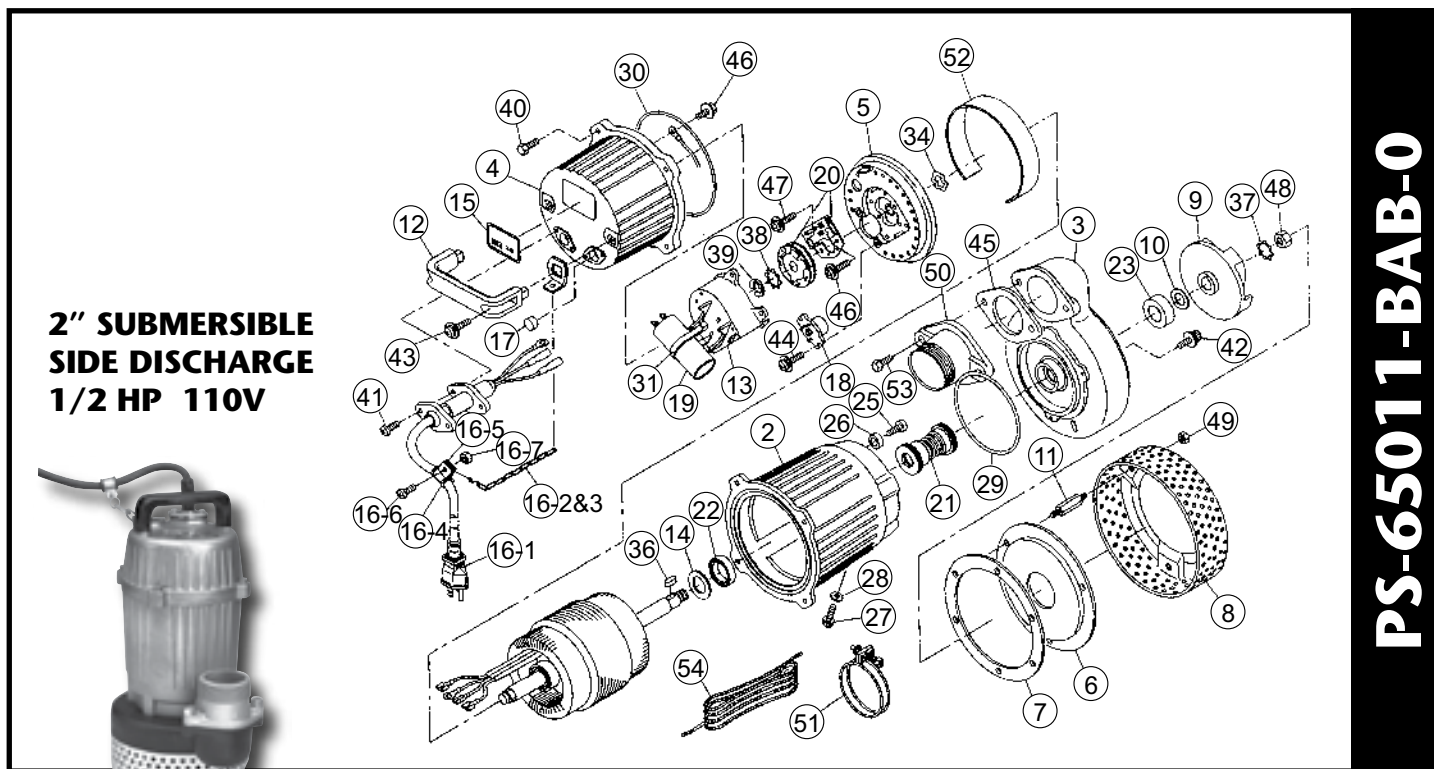
PX-65011-BAC



**2" SUBMERSIBLE
TOP OR SIDE DISCHARGE
1/2 HP 110V**

REF NO.	PART NO.	DESCRIPTION	QTY.	REF NO.	PART NO.	DESCRIPTION	QTY.
1	0438067	MOTOR ASSEMBLY	1	27	0430383	DELIVERY FLANGE GASKET	1
2	0430399	FRAME	1	28	0430290	STUD BOLT M8 x 70	2
3	0430267	BRACKET	1	29	846005008	WASHER	5
4	0430284	HEAD GASKET	1	30	835305008	HEX CAP NUT M8	3
6	0430308	POWER CORD	1	31	0390101	ROPE	1
7	0438066	CHAIN ASSEMBLY	1	32	735705162	HEX BOLT M8 x 70	3
8	0390031	CORD SUPPORTER	1	33	0340142	SEAL RING	1
9	0260018	CORD BAND	1	34	0340153	SCREW M6 x 8	1
10	0430404	HANDLE	1	35	0340277	THRUST WASHER	1
11	0430441	ADJUSTING WASHER	2	36	895154014	OIL SEAL	1
12	0430280	IMPELLER	1	37		LABEL	1
13	0430273	BACK LINER	1	38		CAUTION LABEL	1
14	743605031	HEX BOLT M6 x 18	4	39	0430299	THRUST GASKET	1
15	0430271	FRONT COVER	1	40	707820074	SCREW M4 x 6	1
16	889955125	O-RING G125	1	41	703305100	SCREW M5 x 10	2
17	734505037	HEX SOCKET BOLT M5 X 20	3	42	827305005	HEX NUT M5	1
18	0430243	MECHANICAL SEAL	1	43		LABEL	1
20	0390025	ADJUSTING WASHER	2	44	703305102	SCREW M5 x 14	2
21	0390037	HEX SOCKET BOLT M10 X 12	1	45	845305008	TOOTHED WASHER	1
22	854255010	SEAL WASHER	2	46	846505008	WASHER	1
23	0430274	CASING	1	47	940019060	HOSE BAND	1
24	0430269	SUCTION FLANGE	1	48	0430392	CONDENSER	1
25	0430270	STRAINER	1	49	734605035	HEX BOLT M5 x 16	3
26	0430306	DELIVERY FLANGE	1				





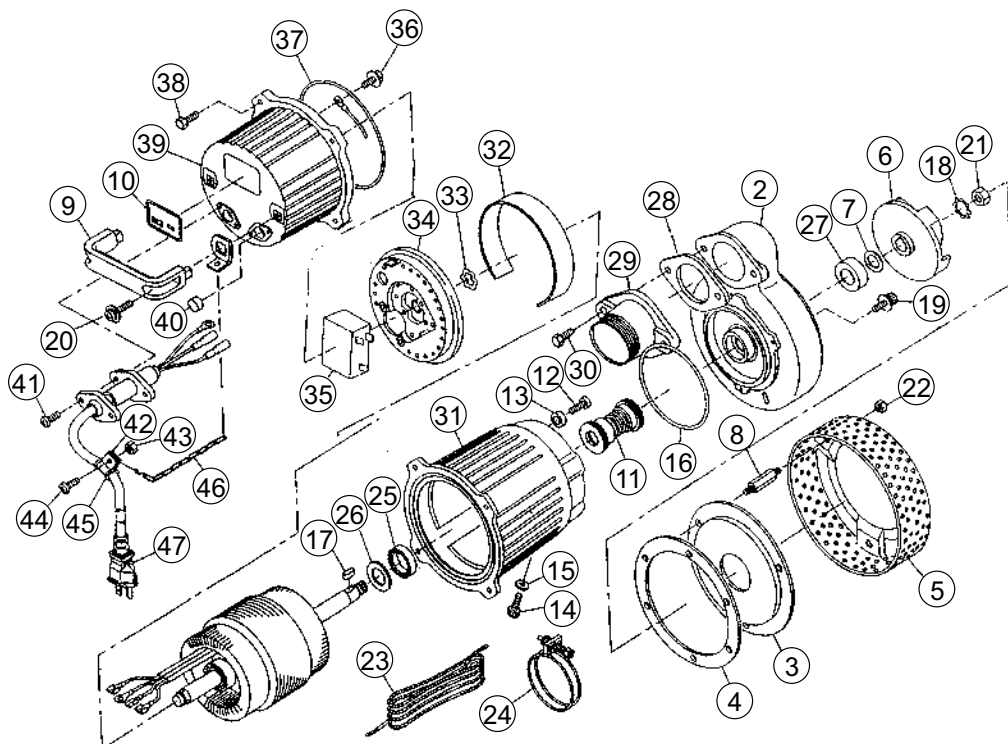
**2" SUBMERSIBLE
SIDE DISCHARGE
1/2 HP 110V**

PS-65011-BAB-0

REF NO.	PART NO.	DESCRIPTION	QTY.	REF NO.	PART NO.	DESCRIPTION	QTY.
1	0398133	MOTOR ASSEMBLY	1	25	0340153	SCREW M6 X 8	1
2	0390473	FRAME	1	26	0340142	SEAL RING	1
3	0390011	CASING	1	27	0390037	HEX SOCKET BOLT M10 x 12	1
4	0390474	HEAD COVER	1	28	854255010	SEAL WASHER	1
5	0390475	BRACKET	1	29	889955100	O-RING G100	1
6	0390016	SUCTION COVER	1	30	0430003	HEAD GASKET	1
7	0390504	SUCTION COVER GASKET	1	31	0390485	BAND	1
8	0390017	STRAINER	1	34	0390490	WAVE WASHER	1
9	0390030	IMPELLER	1	36	0390519	KEY	1
10	0390025	ADJUSTING WASHER	1	37	0390520	TOOTHED WASHER	1
11	0390508	STUD BOLT	3	38	0390492	WAVE WASHER	1
12	0390509	HANDLE	1	39	0390493	STOP RING	1
13	0390476	CENT. FORCE SWITCH COVER	1	40	0390494	HEX BOLT M6 x 20	4
14	0390590	BEARING WASHER	1	41	0390495	SCREW M5 x 14	2
15		LABEL	1	42	0390521	HEX SOCKET BOLT M6 x 16	3
16-1	0430088	POWER CORD	1	43	0390522	SCREW M6 x 20	2
16-2	390027	CHAIN ASSEMBLY 16-2 & 16-3	1	44	0390496	SCREW M4 x 20	2
16-4	0390031	CORD SUPPORTER	1	45	0390559	DELIVERY GASKET	1
16-5	0260018	CORD BAND	1	46	0390497	SCREW M4 x 8	3
16-6	703305100	SCREW M5 x 10	1	47	0390498	SCREW M3 x 6	2
16-7	827305005	HEX NUT	1	48	0390523	HEX NUT M10	1
17	0390501	HEAD BUSHING	1	49	0390524	HEX NUT M8	3
18	0390544	THERMAL PROTECTOR	1	50	0430143	DELIVERY FLANGE	1
19	0390002	CONDENSER	1	51	940019060	HOSE BAND	1
20	0390028	CENT. FORCE SWITCH	1	52	0390500	SUPPORTER	1
21	0430243	MECHANICAL SEAL	1	53	0390522	HEX BOLT M6 x 20	2
22	0390488	OIL SEAL	1	54	0390101	ROPE	1
23	0390512	OIL SEAL	1				



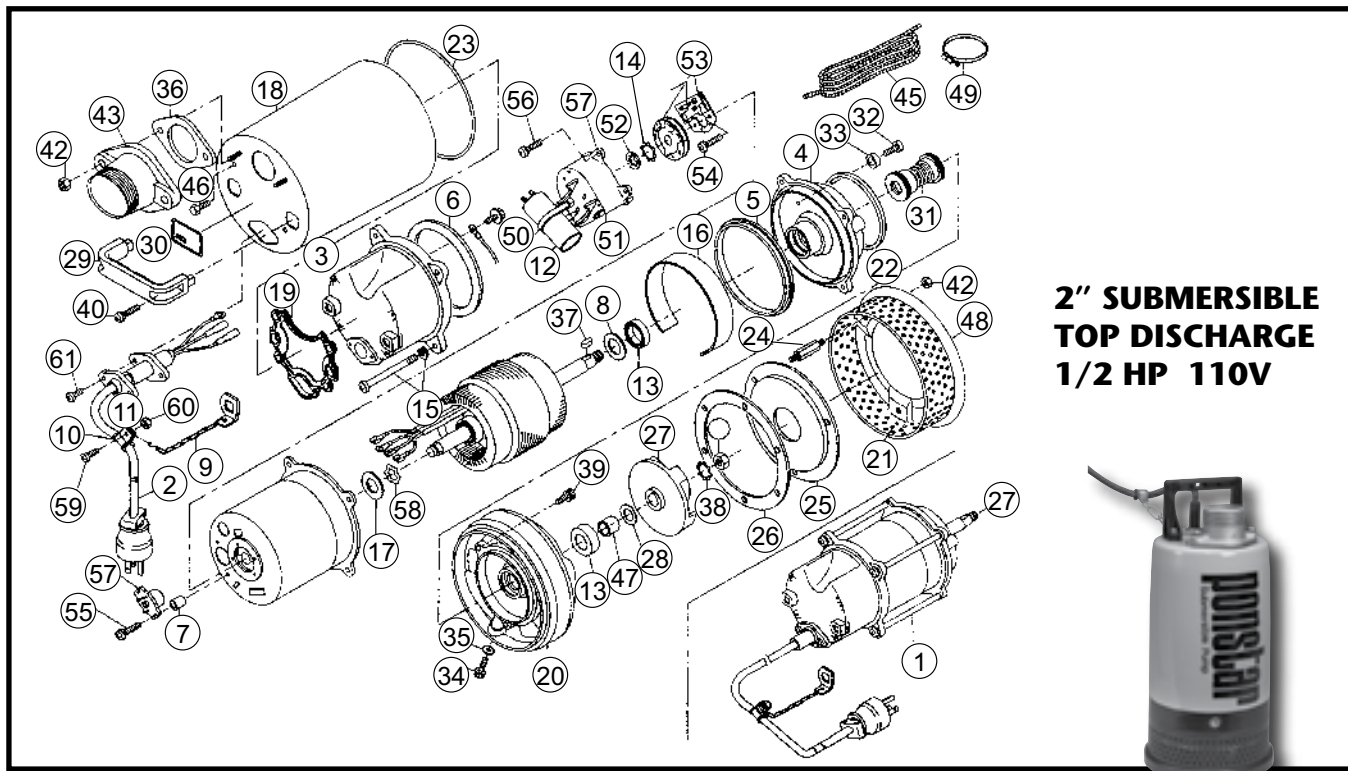
KOSHIN PUMP

PS-65011-CR-BAB

**2" SUBMERSIBLE
SIDE DISCHARGE
1/2 HP 110V**

REF NO.	PART NO.	DESCRIPTION	QTY.	REF NO.	PART NO.	DESCRIPTION	QTY.
1	0398104	MOTOR ASSEMBLY	1	25	0430299	THRUST GASKET	1
2	0390011	CASING	1	26	0390537	THRUST WASHER	1
3	0390016	SUCTION COVER	1	27	895154014	OIL SEAL	1
4	0390019	SUCTION GASKET	1	28	0390092	DELIVERY GASKET	1
5	0390017	STRAINER	1	29	0430143	DELIVERY FLANGE	1
6	0390030	IMPELLER	1	30	748119032	HEX BOLT M6 x 20	2
7	0390025	ADJUSTING WASHER	2	31	0390473	FRAME	1
8	0390020	STUD BOLT	3	32	0390500	SUPPORTER	1
9	0390021	HANDLE	1	33	0390490	WAVE WASHER	1
10		LABEL	1	34	0390475	BRACKET	1
11	0430243	MECHANICAL SEAL	1	35	0390578	CONDENSER	1
12	0340153	SCREW M6 x 8	1	36	0390497	SCREW M4 x 8	1
13	0340142	SEAL RING	1	37	0390149	HEAD GASKET	1
14	0390037	HEX BOLT M10 x 12	1	38	0390494	HEX BOLT M6 x 20	4
15	854255010	SEAL WASHER	1	39	0390566	HEAD COVER	1
16	889955100	O-RING	1	40	0390501	HEAD BUSHING	1
17	884205023	KEY	1	41	0390495	SCREW M5 x 14	2
18	845205010	TOOTHED WASHER	1	42	0260018	CORD BAND	1
19	0390150	HEX SOCKET BOLT M6 x 16	3	43	827305005	HEX NUT M5	1
20	707605057	SCREW M6 x 20	2	44	0390483	SCREW M5 x 10	1
21	827405010	HEX NUT M10	1	45	0390031	CORD SUPPORTER	1
22	827405008	HEX NUT M8	3	46	0398106	CHAIN ASSEMBLY	1
23	0390101	ROPE	1	47	0430088	POWER CORD	1
24	940019060	HOSE BAND	1				



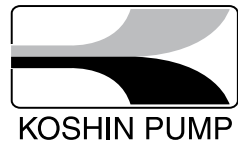


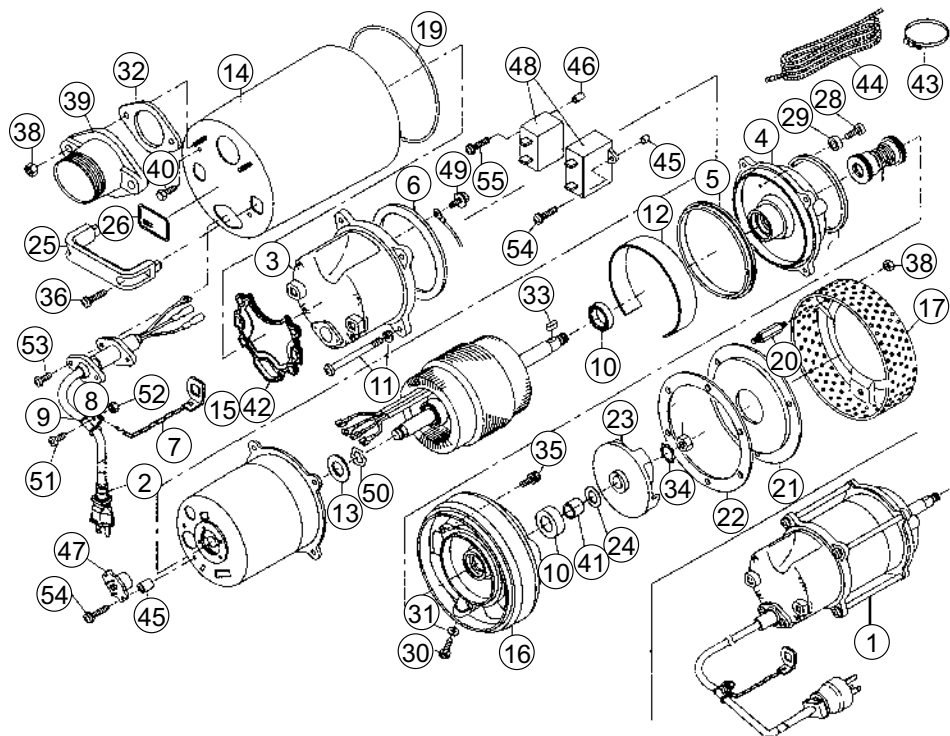
PB-65011-BAB

**2" SUBMERSIBLE
TOP DISCHARGE
1/2 HP 110V**

REF NO.	PART NO.	DESCRIPTION	QTY.
1	0438011	MOTOR ASSEMBLY	1
2	0430088	POWER CORD	1
3	0430012	HEAD COVER	1
4	0430009	FRONT BRACKET	1
5	0430004	FRAME GASKET	1
6	0430003	HEAD GASKET	1
7	0430002	SPACER	2
8	0390026	BEARING WASHER	1
9	0390027	CHAIN ASSEMBLY	1
10	0390031	CORD SUPPORTER	1
11	0260018	CORD BAND	1
12	0390002	CONDENSER	1
13	893555042	OIL SEAL	2
14	0390141	TOOTHED WASHER	1
15	0430043	SCREW	4
16	0430023	SUPPORTER	1
17	0430082	WASHER	1
18	0430008	OUTER COVER	1
19	0430013	OUTER GASKET	1
20	0430136	CASING	1
21	0430007	STRAINER	1
22	889955100	O-RING	1
23	0430025	O-RING	1
24	0430014	STUD BOLT	3
25	0390016	SUCTION COVER	1
26	0390019	SUCTION COVER GASKET	1
27	0390030	IMPELLER	1
28	0390025	ADJUSTING WASHER	2
29	0430078	HANDLE	1
30		LABEL	1

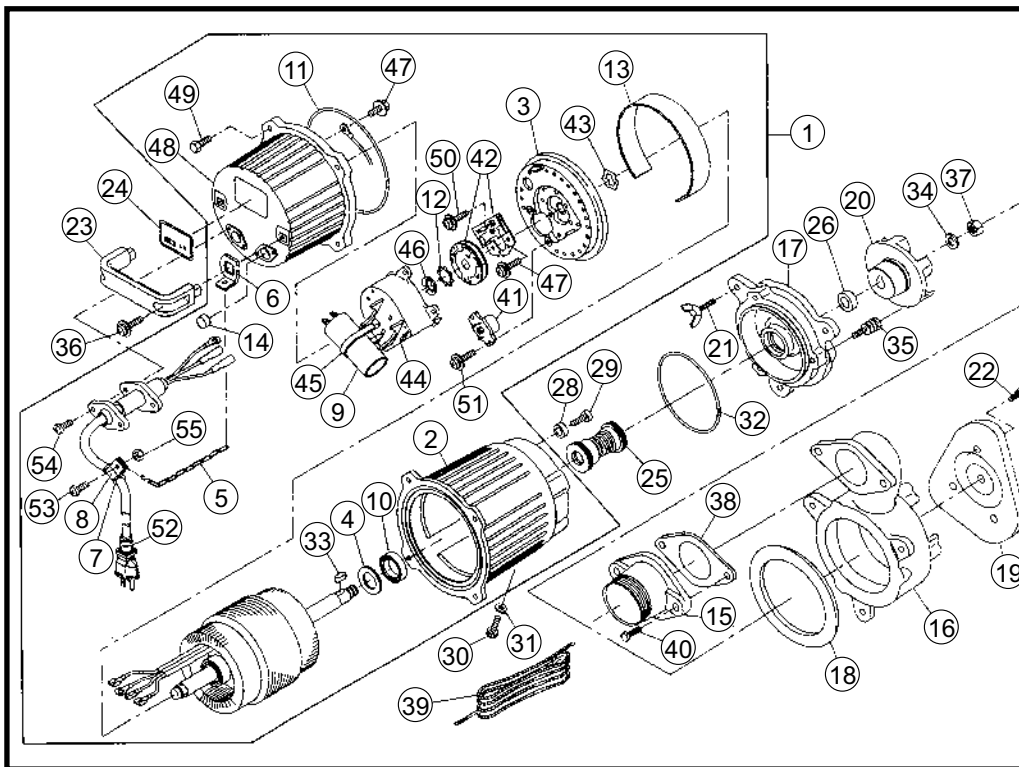
REF NO.	PART NO.	DESCRIPTION	QTY.
31	0430243	MECHANICAL SEAL	1
32	0340153	SCREW	1
33	0340142	SEAL RING	1
34	0390037	HEX SOCKET BOLT M10 x 12	1
35	854255010	SEAL WASHER	1
36	0390092	DELIVERY GASKET	1
37	884205023	KEY	1
38	845205010	TOOTHED WASHER	1
39	0430044	HEX SOCKET BOLT M6 x 20	3
40	707605057	SCREW	2
41	827405010	NUT M10	1
42	827405008	NUT	5
43	0390077	DELIVERY FLANGE	1
45	0390101	ROPE	1
46	747805028	HEX BOLT M6 x 12	4
47	0430074	SLEEVE	1
48	0430075	BOTTOM PLATE	1
49	940019060	HOSE BAND	1
50	0390142	BAND	1
51	0430022	CENT. FORCE SWITCH COVER	1
52	888727008	STOP RING	1
53	0390001	CENT. FORCE SWITCH	1
54	707825018	SCREW	2
55	708219042	SCREW	2
56	708119037	SCREW	2
57	0390079	THERMAL PROTECTOR	1
58	857627023	WAVE WASHER	1
59	703305100	SCREW	1
60	827305005	NUT	1
61	703305102	SCREW	2



PB7-65011-BAB**2" SUBMERSIBLE
TOP DISCHARGE
1 HP 110V**

REF NO.	PART NO.	DESCRIPTION	QTY.	REF NO.	PART NO.	DESCRIPTION	QTY.
1	0438048	MOTOR ASSEMBLY	1	28	0340153	SCREW M6 x 8	1
2	0430232	POWER CORD	1	29	0340142	SEAL RING	1
3	0430012	HEAD COVER	1	30	0390037	HEX SOCKET BOLT M10 x 12	1
4	0430220	FRONT BRACKET	1	31	854255010	SEAL WASHER	1
5	0430004	FRAME GASKET	1	32	0390092	DELIVERY GASKET	1
6	0430003	HEAD GASKET	1	33	884205023	KEY	1
7	0390027	CHAIN ASSEMBLY	1	34	845205010	TOOTHED WASHER	1
8	0260018	CORD BAND	1	35	0430044	HEX SOCKET BOLT M6 x 20	3
9	0390031	CORD SUPPORTER	1	36	707605057	SCREW M6 x 20	2
10	893555043	OIL SEAL	2	37	827405010	HEX NUT M10	1
11	0430043	SCREW M6 x 14	4	38	827405008	HEX NUT M8	5
12	0430231	SUPPORTER	1	39	0430143	DELIVERY FLANGE	1
13	0430082	WASHER	1	40	747805028	HEX BOLT M6 x 12	4
14	0430008	OUTER COVER	1	41	0430074	SLEEVE	1
15	0430013	OUTER GASKET	1	43	940019060	HOSE BAND	1
16	0430223	CASING	1	44	0390101	ROPE	1
17	0430225	STRAINER	1	45	0430294	SPACER	3
18	889955100	O-RING	1	46	0430295	SPACER	1
19	890155150	O-RING	1	47	0430293	THERMAL PROTECTOR	1
20	0430253	STUD BOLT	3	48	0430296	CONDENSER	2
21	0430226	SUCTION COVER	1	49	707819036	SCREW M4 x 8	3
22	0430227	SUCTION COVER GASKET	1	50	0430082	WAVE WASHER	1
23	0430234	IMPELLER	1	51	703305100	SCREW M5 x 10	1
24	0390025	ADJUSTING WASHER	2	52	827305005	HEX NUT M5	1
25	0430078	HANDLE	1	53	703305102	SCREW M5 x 14	2
26		LABEL	1	54	708119039	SCREW M4 x 14	3
27	0390003	MECHANICAL SEAL	1	55	708119041	SCREW M4 x 20	1





**2" SUBMERSIBLE
TRASH
SIDE DISCHARGE
1/2 HP 110V**



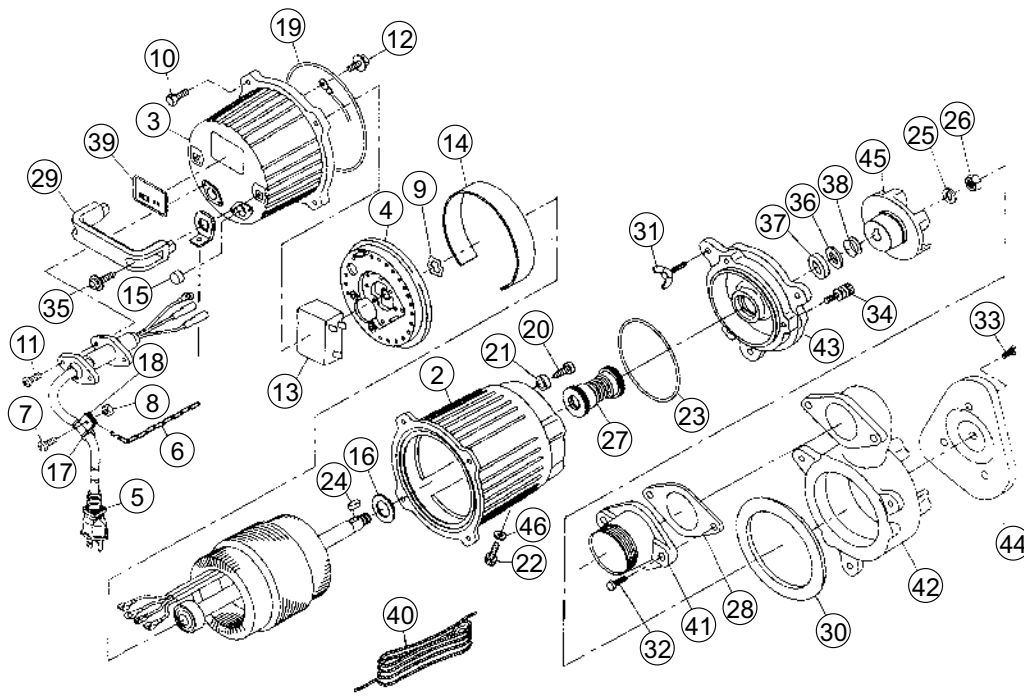
PKS-65011-BAB-0

REF NO.	PART NO.	DESCRIPTION	QTY.
2	0390253	FRAME	1
3	0390018	BRACKET	1
4	0390026	BEARING WASHER	1
5	0390027	CHAIN ASSEMBLY	1
7	0390031	CORD SUPPORTER	1
8	0260018	CORD BAND	1
9	0390002	CONDENSER	1
10	893555043	OIL SEAL	1
11	0390149	HEAD GASKET	1
12	0390141	TOOTHED WASHER	1
13	0390304	SUPPORTER	1
14	0390039	HEAD BUSHING	1
15	0430143	DELIVERY FLANGE	1
16	0390161	CASING	1
17	0390162	FRONT BRACKET	1
18	0390168	CASING GASKET	1
19	0390311	BOTTOM PLATE	1
20	0390164	IMPELLER	1
21	740705124	WING BOLT M8 x 25	3
22	743105045	HEX BOLT M8 x 20	3
23	0390021	HANDLE	1
24		LABEL	1
25	0430243	MECHANICAL SEAL	1
26	893155031	OIL SEAL	1
28	0340142	SEAL RING	1
29	0390153	SCREW M6 x 8	1

REF NO.	PART NO.	DESCRIPTION	QTY.
30	0390037	HEX SOCKET BOLT M10 x 12	3
31	854255010	SEAL WASHER M10	1
32	889855100	O-RING	1
33	884205023	KEY	1
34	843805010	SPRING WASHER M10	1
35	0390215	HEX SOCKET BOLT M6 x 25	3
36	707605057	SCREW M6 x 20	2
37	827405010	HEX NUT M10	1
38	0390092	DELIVERY GASKET	1
39	0390101	ROPE	1
40	743105047	HEX BOLT M8 x 25	2
41	0390079	THERMAL PROTECTOR	1
42	0390001	CENT. FORCE SWITCH	1
43	857627033	WAVE WASHER	1
44	0390028	CENT. FORCE COVER	1
45	0390142	BAND	1
46	888727008	STOP RING	1
47	707819036	SCREW M4 x 8	3
48	0390015	HEAD COVER	1
49	743105032	HEX BOLT M6 x 20	4
50	707825018	SCREW M3 x 6	2
51	708119037	SCREW M4 x 10	2
52	0430088	POWER CORD	1
53	703305100	SCREW M5 x 10	1
54	703305102	SCREW M5 x 14	2
55	827305005	HEX NUT M5	1



PKS-65011-CR

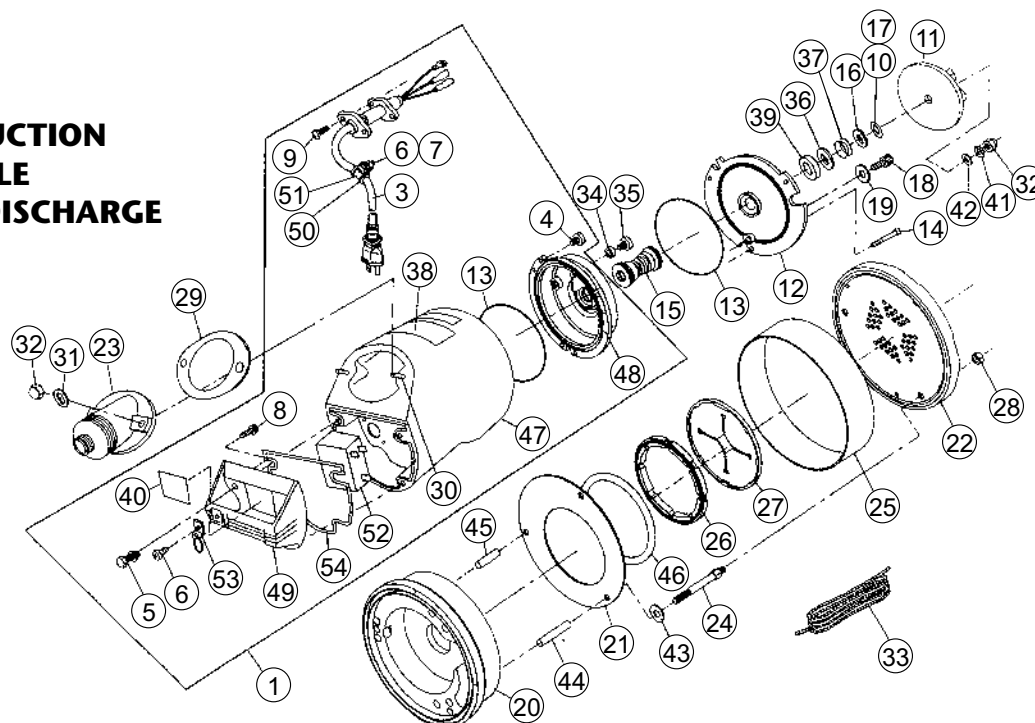


**2" SUBMERSIBLE TRASH
SIDE DISCHARGE
1/2 HP 110VAC**

REF NO.	PART NO.	DESCRIPTION	QTY.	REF NO.	PART NO.	DESCRIPTION	QTY.
2	0390473	FRAME	1	25	843805010	SPRING WASHER M10	1
3	0390566	HEAD COVER	1	26	0390523	HEX NUT M10	1
4	0390475	BRACKET	1	27	0390511	MECHANICAL SEAL	1
5	0430088	POWER CORD	1	28	0390559	DELIVERY GASKET	1
6	0398106	CHAIN ASSEMBLY	1	29	0390509	HANDLE	1
7	0390483	SCREW M5 x 10	1	30	0390551	CASING GASKET	1
8	0390484	HEX NUT M5	1	31	0390554	WING BOLT M8 x 25	3
9	0390490	WAVE WASHER	1	32	0390555	HEX BOLT M8 x 25	2
10	0390494	HEX BOLT M6 x 20	4	33	0390556	HEX BOLT M8 x 20	3
11	0390495	SCREW M5 x 14	2	34	0390557	HEX SOCKET BOLT M6 x 25	3
12	0390497	SCREW M4 x 8	1	35	0390552	SCREW M6 x 20	2
13	0390578	CONDENSER	1	36	0390571	THRUST WASHER	1
14	0390500	SUPPORTER	1	37	0390570	THRUST WASHER GASKET	1
15	0390501	HEAD BUSHING	1	38	0390575	OIL SEAL	1
16	0390590	BEARING WASHER	1	39		LAB EL	1
17	0390031	CORD SUPPORTER	1	40	0390101	ROPE	1
18	0260018	CORD BAND	1	41	0430143	DELIVERY FLANGE	1
19	0390149	HEAD GASKET	1	42	0390161	CASING	1
20	0340153	SCREW M6 x 8	1	43	0390162	FRONT BRACKET	1
21	0340142	SEAL RING	1	44	0390311	BOTTOM PLATE	1
22	0390516	HEX SOCKET BOLT M10 x 12	1	45	0390164	IMPELLER	1
23	0390518	O-RING	1	46	854255010	SEAL WASHER	1
24	0390519	KEY	1				



**2" BOTTOM SUCTION
SUBMERSIBLE
TOP OR SIDE DISCHARGE
1/2 HP 110V**



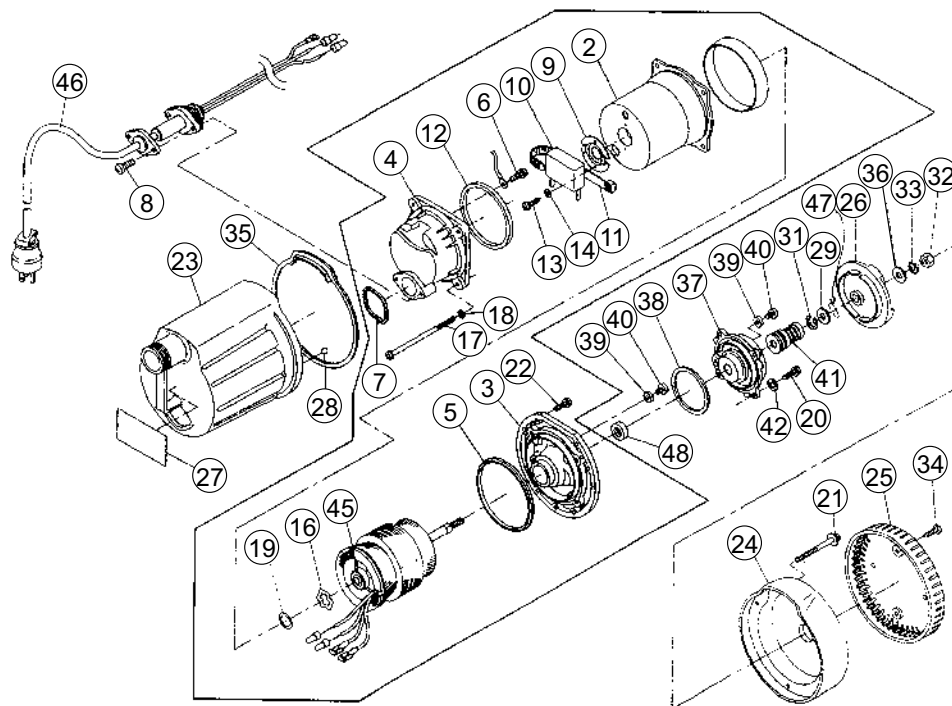
PXL-65011-BAB

REF NO.	PART NO.	DESCRIPTION	QTY.	REF NO.	PART NO.	DESCRIPTION	QTY.
1	0438101	MOTOR ASSEMBLY	1	29	0430283	DELIVERY GASKET	1
3	0430308	POWER CORD	1	30	0430290	STUD BOLT M8 x 70	2
4	734605035	HEX BOLT M5 x 18	3	31	846007008	WASHER	2
5	0430406	HEX BOLT M6 x 18	4	32	835305008	CAP NUT	3
6	703305100	SCREW M5 x 10	2	33	0390101	ROPE	1
7	0430409	NUT M5	1	34	0340142	SEAL RING	1
8	707820074	SCREW M4 x 6	1	35	0340153	SCREW M6 x 8	1
9	703305102	SCREW M5 x 14	2	36	0340277	THRUST WASHER	1
10	0430441	ADJUSTING WASHER	3	37	895154014	OIL SEAL	1
11	0430280	IMPELLER	1	38		LABEL	1
12	0430271	FRONT COVER	1	39	0430299	THRUST WASHER GASKET	1
13	889955125	O-RING	1	40		LABEL	1
14	734505037	HEX SOCKET BOLT M5 x 20	3	41	845305008	TOOTHED WASHER	1
15	0430243	MECHANICAL SEAL	1	42	846505008	WASHER	1
16	0430300	ADJUSTING WASHER	1	43	854255008	SEAL WASHER	3
18	0390037	HEX SOCKET BOLT M10 x 12	1	44	0430361	SPACER (LONG)	2
19	854255010	SEAL WASHER	1	45	0430362	SPACER (SHORT)	1
20	0430334	CASING	1	46	0430360	SUCTION COVER GASKET	1
21	0430329	SUCTION COVER	1	47	0430266	MOTOR FRAME	1
22	0430241	BOTTOM STRAINER	1	48	0430267	BRACKET	1
23	0430367	DELIVERY FLANGE	1	49	0430268	HANDLE	1
24	0430242	STUD BOLT	3	50	0390031	CORD SUPPORTER	1
25	0430236	STRAINER STAND	1	51	0260018	CORD BAND	1
26	0430239	SEAL RING	1	52	0430392	CONDENSER	1
27	0430331	CHECK VALVE	1	53	0438066	CHAIN ASSEMBLY	1
28	827405008	NUT M8	3	54	0430401	HEAD GASKET	1



KOSHIN PUMP

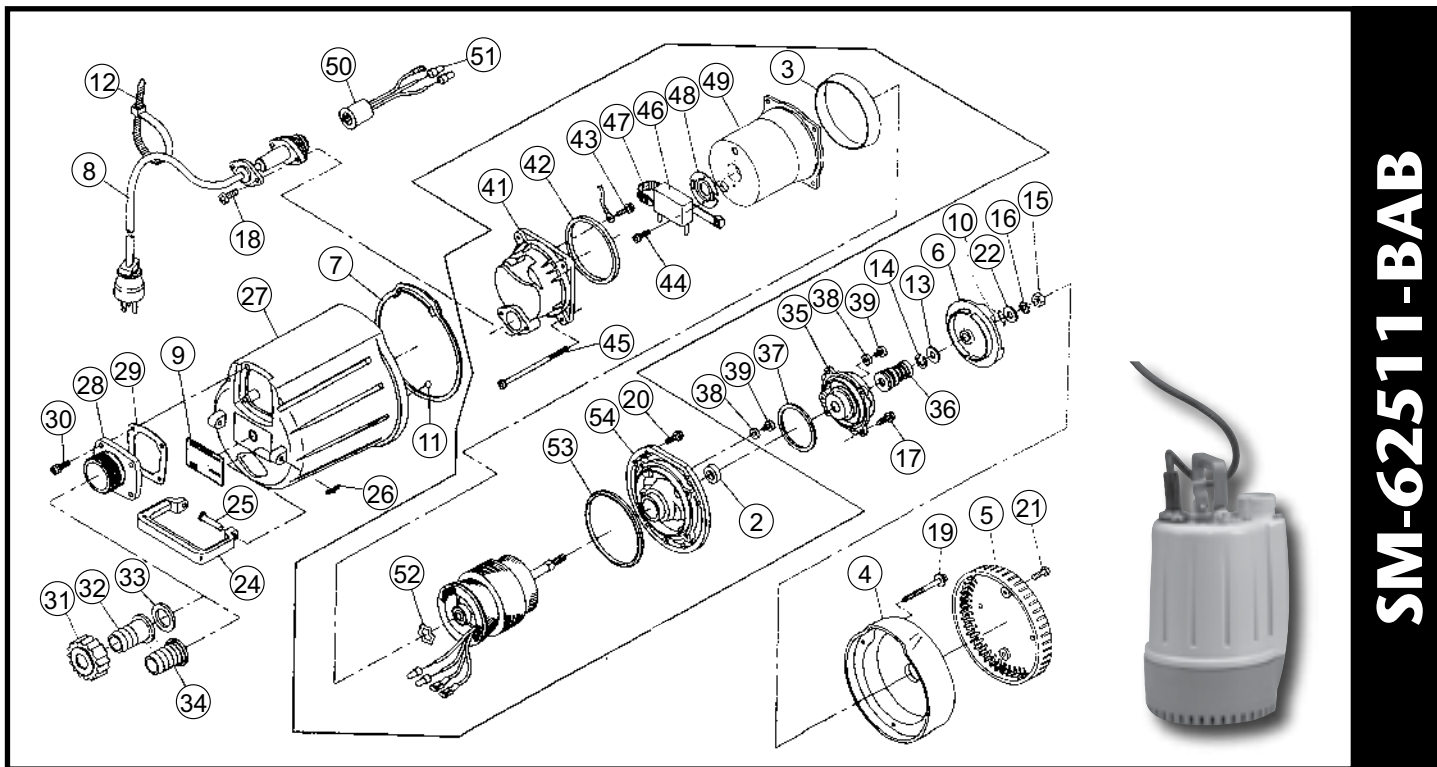
NSM-62011-BAB



3/4" GARDEN HOSE SUBMERSIBLE 1/6 HP 110 V

REF NO.	PART NO.	DESCRIPTION	QTY.	REF NO.	PART NO.	DESCRIPTION	QTY.
1	0348150	MOTOR ASSEMBLY	1	24	0340015	CASING	1
2	0340196	MOTOR FRAME	1	25	0340042	STRAINER	1
3	0340199	FRONT BRACKET	1	26	0340210	IMPELLER	1
4	0340202	HEAD COVER	1	27		LABEL	1
5	0340206	FRAME GASKET	1	28	0340265	BALL	1
6	704119074	SCREW M4 x 8	1	29	0140251	ADJUSTING WASHER	2
7	0340327	OUTER GASKET	1	31	888705006	STOP RING	1
8	703305102	SCREW M5 x 14	2	32	827405006	HEX NUT M6	1
9	0340217	BEARING PLATE	1	33	845205006	TOOTHED WASHER	1
10	0340328	CONDENSER	1	34	718505035	TAPPING SCREW 4 x 12	2
11	0341092	BAND	1	35	0340774	CASING GASKET	1
12	0340208	HEAD GASKET	1	36	846205006	WASHER	1
13	703319050	SCREW M3 x 6	2	37	0340187	MECHANICAL BOX	1
14	843819003	SPRING WASHER	2	38	0340209	MECHANICAL GASKET	1
16	857627608	WAVE WASHER	1	39	0340142	SEAL RING	2
17	0341093	SCREW M5 x 92	4	40	0340153	SCREW M6 x 8	2
18	843805505	SPRING WASHER	4	41	0340923	MECHANICAL SEAL	1
19	0341094	THRUST WASHER	1	42	846205005	WASHER	4
20	0340918	SCREW M5 x 12	4	45	911806008	BEARING	2
21	0340925	TAPPING SCREW M4 x 60	3	46	0341033	POWER CORD	1
22	718505056	TAPPING SCREW M5 x 20	6	47	0340329	IMPELLER COLLAR	1
23	0341022	OUTER COVER	1	48	0340922	OIL SEAL	1



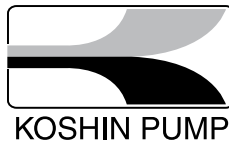


SM-62511-BAB

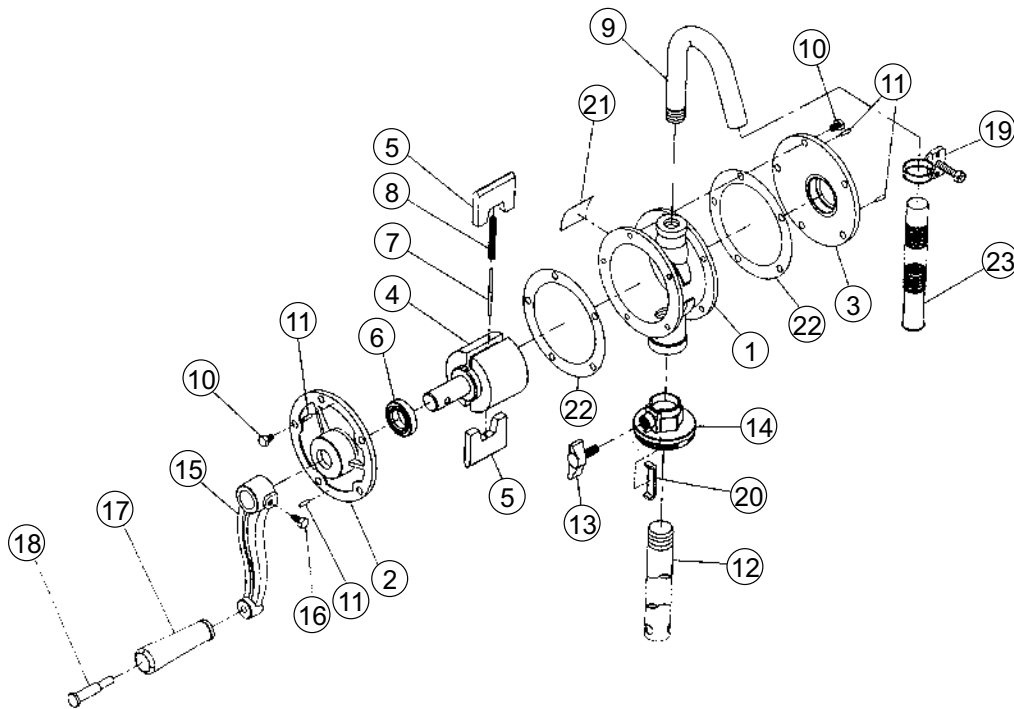
**1-1/4" SUBMERSIBLE
TOP DISCHARGE 1/5 HP 110V**

REF NO.	PART NO.	DESCRIPTION	QTY.
2	893555008	OIL SEAL	1
3	0340241	MOTOR SUPPORTER	1
4	0340020	CASING	1
5	0340043	STRAINER	1
6	0340214	IMPELLER	1
7	0340243	CASING GASKET	1
8	0340494	POWER CORD	1
9		NAME PLATE	1
10	846205006	WASHER	1
11	0340265	BALL	1
12	0340227	BAND	1
13	014251	ADJUSTING WASHER	2
14	888705006	STOP RING	1
15	827405006	NUT M6	1
16	845205006	TOOTHED WASHER	1
17	707805046	SCREW M5 x 12	4
18	703305139	SCREW M5 x 18	2
19	0340597	TAPPING SCREW M5 x 62	3
20	0340143	SCREW M5 x 22	6
21	718505054	SCREW M5 x 14	2
22	0340329	IMPELLER COLLAR	1
24	0340160	HANDLE	1
25	0340162	RIVET	2
26	0340114	SNAP PIN	2
27	0340198	OUTER COVER	1
28	0340193	DELIVERY FLANGE	1

REF NO.	PART NO.	DESCRIPTION	QTY.
29	0340040	DELIVERY FLANGE GASKET	1
30	0340223	TAPPING SCREW M5 x 20	4
31	0340793	COUPLING	1
32	0340792	HOSE NIPPLE	1
33	0340066	COUPLING GASKET	1
34	0340791	SCREW NIPPLE 32 x 20	4
35	0340187	MECHANICAL BOX	1
36	0340012	MECHANICAL SEAL	1
37	0340209	MECHANICAL GASKET	1
38	0340142	SEAL RING	2
39	0340153	SCREW M6 x 8	2
41	0340189	HEAD COVER	1
42	0340207	HEAD GASKET	1
43	707819036	SCREW M6 x 8	1
44	707819018	SCREW M3 x 6	2
45	0340366	SCREW M5 x 100	4
46	0340218	CONDENSER	1
47	0340227	BAND	1
48	0340217	BEARING PLATE	1
49	0340190	MOTOR FRAME	1
50	0340341	CONNECTOR	1
51	944500001	TERMINAL	1
52	845205006	WAVE WASHER	1
53	0340205	FRAME GASKET	1
54	0340188	FRONT BRACKET	1



SB-25-BAG

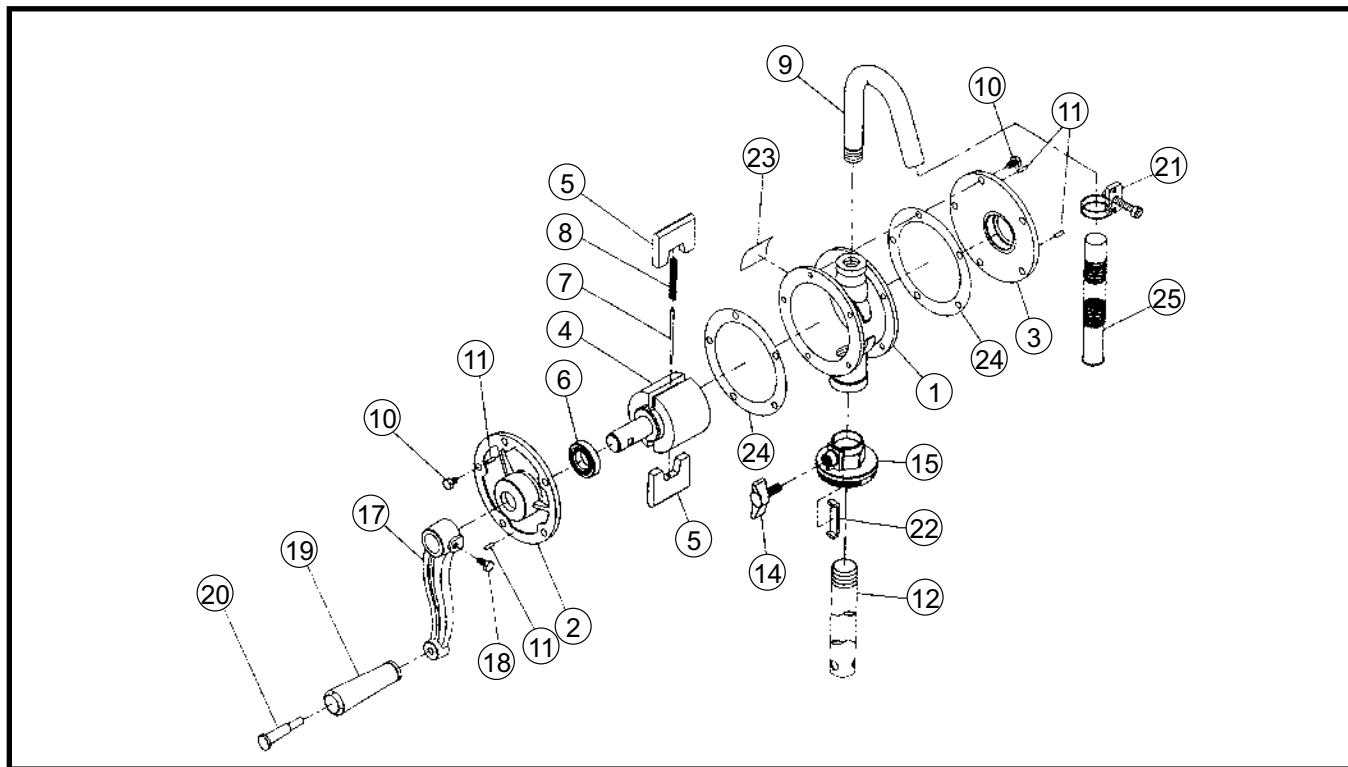


1" MANUAL DRUM PUMP



REF NO.	PART NO.	DESCRIPTION	QTY.
1	0010022	PUMP BODY	1
2	0010023	FRONT COVER	1
3	0010024	REAR COVER	1
4	0010025	SHAFT	1
5	0010029	IMPELLER SET	1
6	0010044	OIL SEAL	1
7	0010032	SPRING PIN	1
8	0010031	SPRING	1
9	0010030	BEND/SPOUT	1
10	735718145	HEX BOLT M8 x 14	10
11	0010171	TAPER PIN	4
12	0010059	SUCTION PIPE	1
13		WING BOLT	1
14	0018013	BUNGE ADAPTOR (Incl. 14, 13, 20)	1
15	0018012	HANDLE KIT (Incl. 15, 16, 17, 18)	1
16		HEX BOLT M8 x 20	1
17		GRIP/HANDLE	1
18		HANDLE RIVET	1
19	940019028	HOSE BAND	1
20		STOPPER	1
21		NAME PLATE	1
22	0010035	COVER GASKET	2
23	0010123	DELIVERY HOSE	1





SB-20-BAA

3/4" MANUAL DRUM PUMP

REF NO.	PART NO.	DESCRIPTION	QTY.
1	0010001	PUMP BODY	1
2	0010002	FRONT COVER	1
3	0010003	REAR COVER	1
4	0010004	SHAFT	1
5	0010130	IMPELLER SET	1
6	0010020	OIL SEAL	1
7	0010011	SPRING PIN	1
8	0010010	SPRING	1
9	0010009	BEND/SPOUT	1
10	735718098	HEX BOLT M6 x 12	10
11	0010170	TAPER PIN	4
12	0010058	SUCTION PIPE	1
14	0018010	BUNGE ADAPTOR (Incl. 14, 15, 22)	1
15		LARGE SCREW	1
17	0018009	HANDLE KIT (Incl. 17, 18, 19, 20)	1
18		HEX BOLT M8 x 16	1
19		GRIP/HANDLE	1
20		HANDLE RIVET	1
21	940019022	HOSE BAND	1
22		STOPPER	1
23		NAME PLATE	1
24	0010091	COVER GASKET	2
25	0010124	DELIVERY HOSE	1

